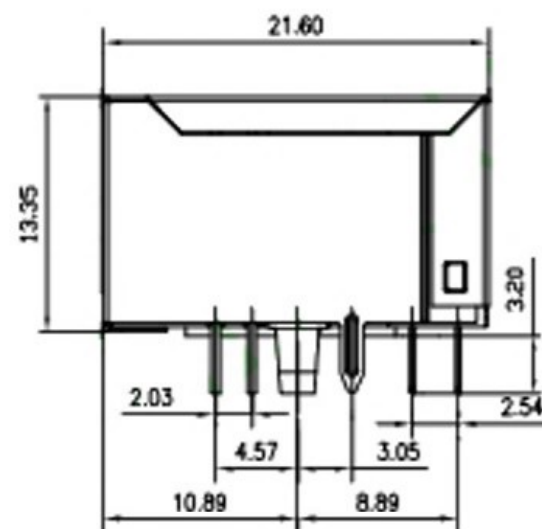
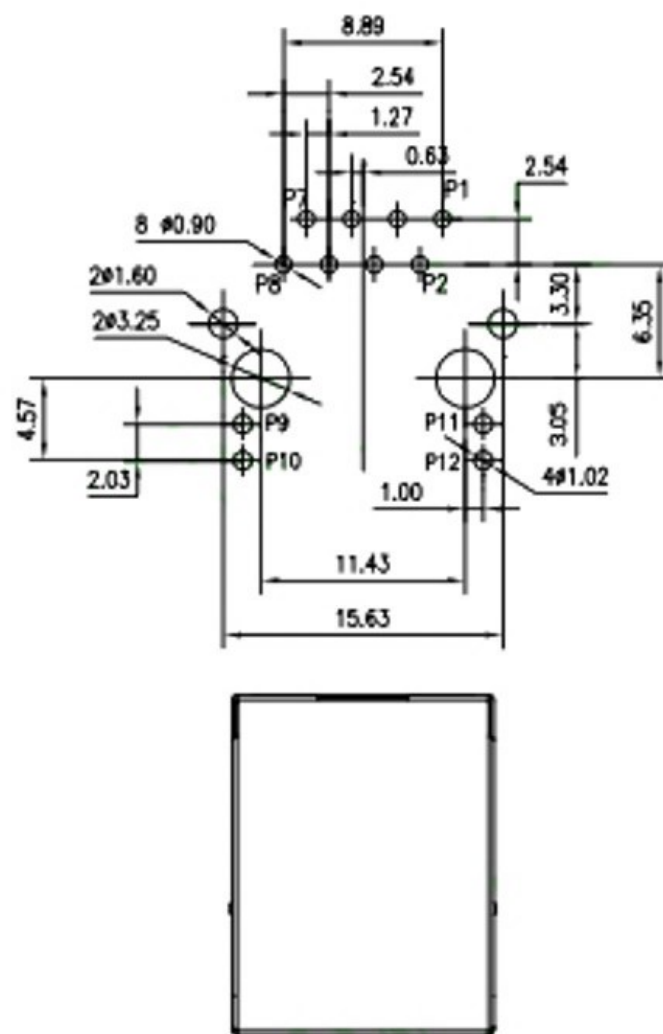
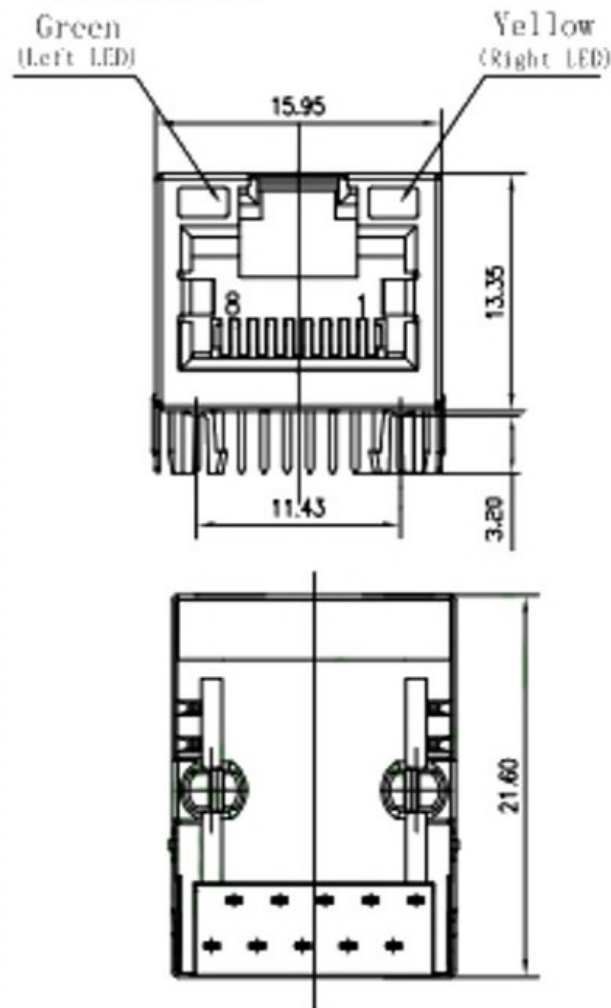


1*1 Port RJ-45 Jack With 10/100 Base-T Magnetics Module

REV.	DESCRIPTION	NAME	DATE
A	NEWS ISSUE		2018/01/18
B	Modify dimensions		2019/03/22

4. Mechanicals:



P.C.B RECOMMENDED BILL LAYOUT SHOWN FROM COMPONENT SIDE.
ALL CENTERLINE DIMENSIONS ARE BASIC.

LED Specification

Standard LED Color	LED Wavelength	Forward (V MAX)	Typical (V TYP)	Luminous Intensity
Green	560-580 nm	2.5V	2.1-2.2V	9-25 MCD
Yellow	580-610 nm	2.5V	2.1-2.2V	9-30 MCD

1. LED Intensity/wavelength measured with Photo Research PE-450 Colormeter
2. With a forward current of 20 mA, Absolute Maximum Ratings (Ta=25°C)

4.1. Connector Material:

Housing: Thermoplastic 1194 V-0
Contact/Shield: Copper alloy
Shield Plating: Nickel
Contact Plating: Selective gold 6u^m; 15u^m; 30u^m; 50u^m Min

4.2. Tolerances comply with F.C.C dimension requirements

4.3. Durability: 800 mating Min



广东科斯达电子科技有限公司
Guangdong Keside Electronic Technology Co., Ltd.
广东科斯达电器开关厂
Guangdong Keside Electrical Switch Factory

DRAWN/DATE	设计: 李金强	SIZE: A4	UNIT: MM	PART. NO:	料号
CHECKED/DATE	审核: 赵来锋	SCALE: 1:1	PROJECTION		REV.: 版本
APPROVED/DATE	核准: 赵佰友	DWG. PATH	图号		SHEET: 页码