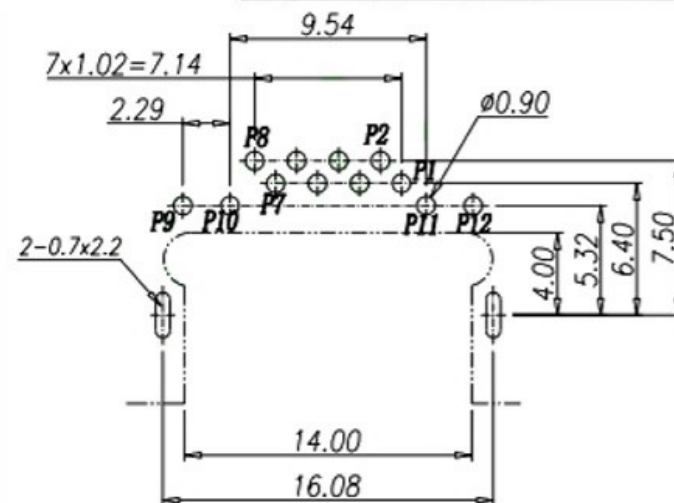
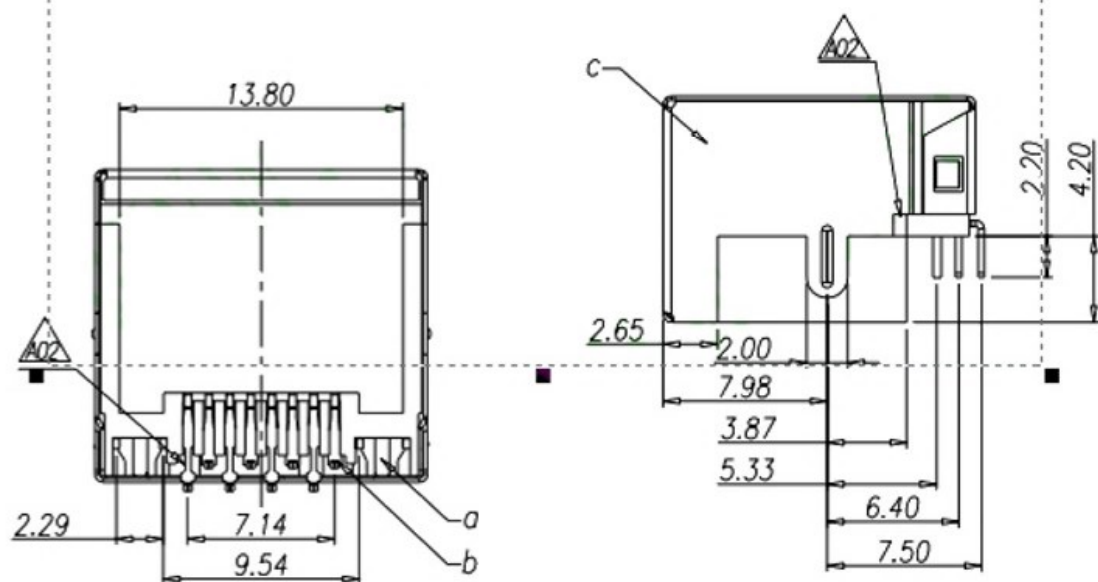
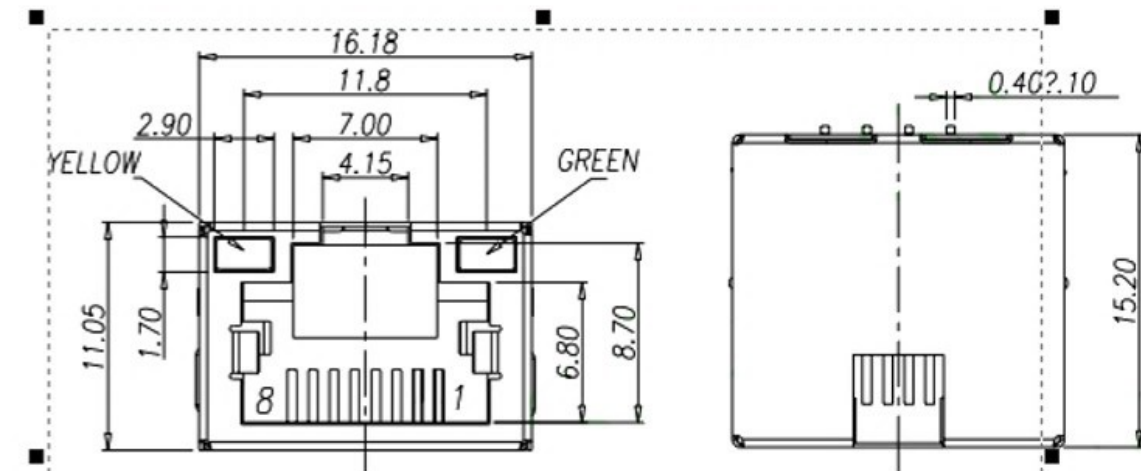


REV.	DESCRIPTION	NAME	DATE
A	NEWS ISSUE		2018/01/18
B	Modify dimensions		2019/03/22



Recommend PCB Layout
(Jack Top View)
Tolerance: $\pm 0.05\text{mm}$

NOTES:

1. HOUSING MATERIAL: GLASS FILLED POLYESTER UL94V-0.
2. CONTACT MATERIAL: COPPER ALLOY, 0.35 MM THICKNESS.
3. PLATING: 1,3,5,15,30 μ GOLD PLATED ON CONTACT AREA, 100 μ MIN. MATTE TIN PLATED ON SOLDERING AREA, 50 μ MIN. NICKEL PLATED OVERALL.
4. SHELL: COPPER ALLOY, 0.25 MM THICKNESS, 30 μ MIN. NICKEL PLATED OVERALL.

ELECTRICAL:

1. VOLTAGE RATING: 125V AC RMS.
2. CURRENT RANG: 1.5AMP.
3. CONTACT RESISTANCE: 30MILLIOHMS MAX.
4. INSULATION RESISTANCE: 500MEGOHMS MIN @500V DC.
5. DIELECTRIC WITHSTANDING RESISTANCE: 1000V AC RMS 50Hz, 1MIN.

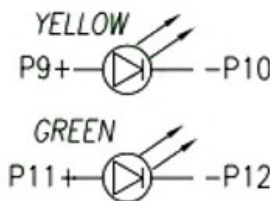
MECHANICAL:

1. DURRABILITY: 750 CYCLES MIN.
2. PCB RETENTION PER-SOLDER: 1LBMIN.

ENVIRONMENTAL:

1. STORAGE: $-40^{\circ}\text{C} \sim 85^{\circ}\text{C}$
2. OPERATION: $-40^{\circ}\text{C} \sim 85^{\circ}$

*Apply to the EU standards(ROSH)



广东科斯达电子科技有限公司
Guangdong Keside Electronic Technology Co., Ltd.
广东科斯达电器开关厂
Guangdong Keside Electrical Switch Factory

DRAW/ DATE	设计: 李金强	SIZE: A4	UNIT: MM	PART. NO:	料号
CHECKED/ DATE	审核: 赵来锋	SCALE: 1:1	PROJECTION		REV.: 版本
APPROVED/ DATE	核准: 赵佰友	DWG. PATH	图号		SHEET: 页码