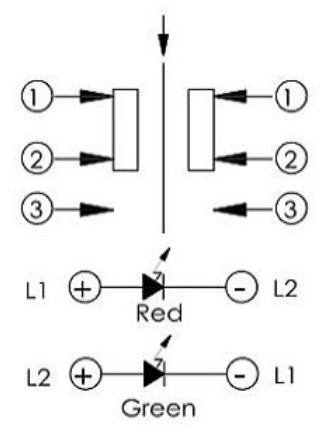
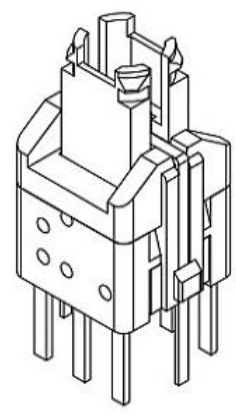
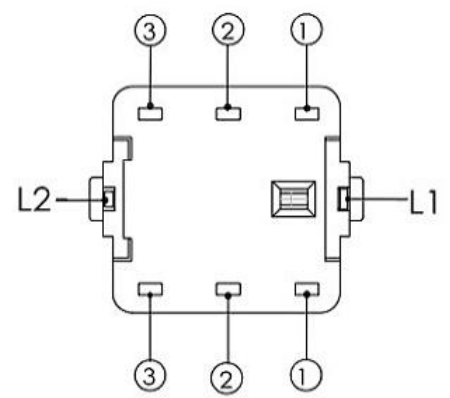


P.C.B LAYOUT MOUNTING PATTERN



CIRCUIT



0	Without	1	Red
2	Green	3	Orange
4	Yellow	7	Blue
8	White		

0	Without	1	Red
2	Green	3	Orange
4	Yellow	7	Blue
8	White		

8			
7			
6			
5	SPRING	SUS304	1 NATURAL
4	CAM STICK	SUS304	1 NATURAL
3	CASE	PA66/BRASS STRIP	1 GREY/Ag PLATED
2	COVER	PA66+15%F.G	1 BLACK
1	KNOB	PA66+15%F.G/PBS STRIP	1 BLACK/Ag CLAD
NO.	PARTS	MATERIALS	Q'TY

TOLERANCE UNLESS SPECIFIED				
WITHIN 1.5mm	: ±0.1mm	A	2016-10-14	初版
OVER 1.5mm	: ±0.2mm	ISSUE	DATE	DESCRIPTIONS OF REVISION
TITLE : VERTICAL PUSH SWITCH			UNIT : mm	DRWG NO.:
MODEL:			SCALE: 5:1	DWN.
				2016-10-14
			CHK'D	2016-10-14
			APPD.	