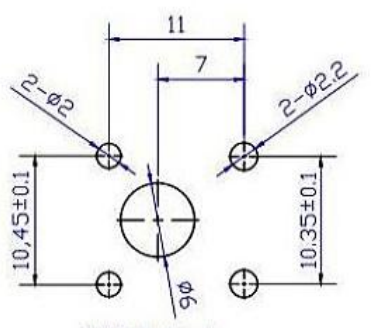
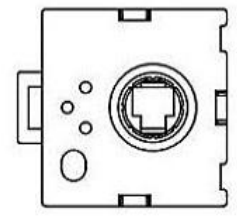
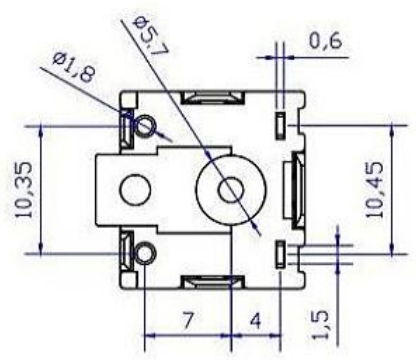



SCHEMATIC (NON-SHORTING)



安装孔尺寸



- 技术要求:
1. 开关动作灵活, 无卡滞现象
 2. 工作额定电压: DC 12V 3A
 3. 操作力: 7±2N
 4. 电寿命 ≥ 30000次

8					TOLERANCE				
7					UNLESS SPECIFIED				
6					WITHIN 1.5mm : ±0.1mm	A	2016-10-14	初版	
5	SPRING	SUS304	1	NATURAL	OVER 1.5mm : ±0.2mm	ISSUE	DATE	DESCRIPTIONS OF REVISION	
4	CAM STICK	SUS304	1	NATURAL	TITLE : VERTICAL PUSH SWITCH			UNIT : mm	DRWG NO.:
3	CASE	PA66/BRASS STRIP	1	GREY/Ag PLATED	MODEL:			SCALE: 5:1	
2	COVER	PA66+15%F.G	1	BLACK				DWN.	2016-10-14
1	KNOB	PA66+15%F.G/PBS STRIP	1	BLACK/Ag CLAD				CHK'D	2016-10-14
NO.	PARTS	MATERIALS	Q'TY					APPD.	