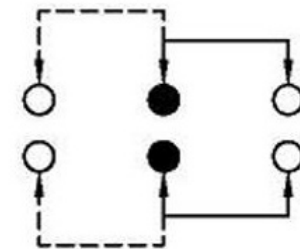
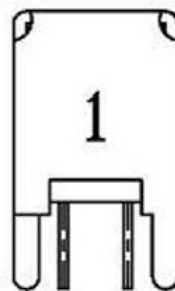
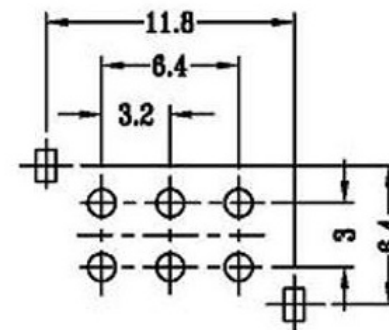
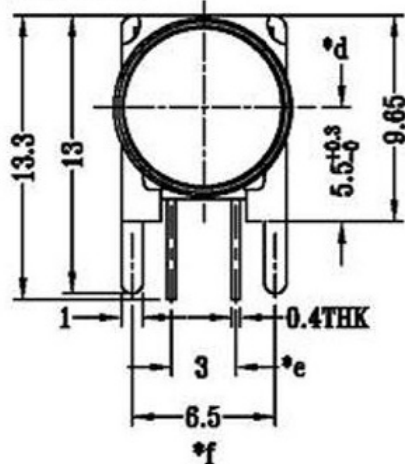
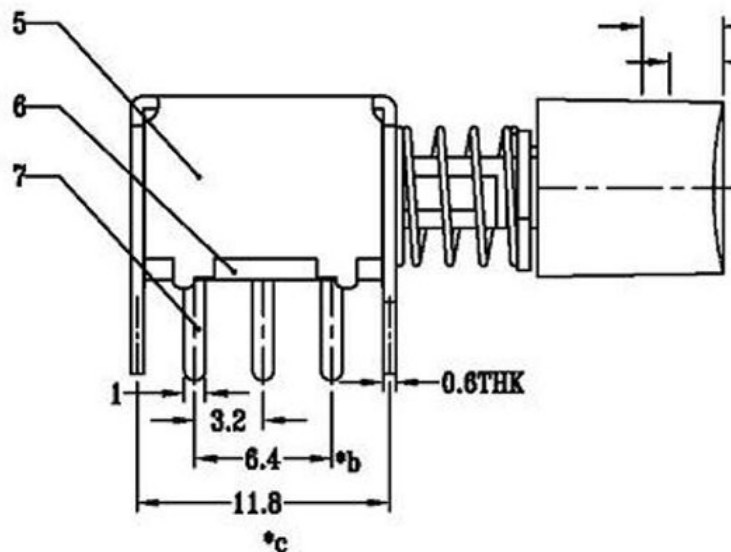


注意：铁壳后标注“1”字唛



SCHEMATIC (NON-SHORTING)



P.C.B LAYOUT
BOTTOM VIEW

注：“*”表示关键尺寸(6个).

8					TOLERANCE				
7					UNLESS SPECIFIED				
6					WITHIN 1.5mm	: ±0.1mm	A	2016-10-14	初版
5	SPRING	SUS304	1	NATURAL	OVER 1.5mm	: ±0.2mm	ISSUE	DATE	DESCRIPTIONS OF REVISION
4	CAM STICK	SUS304	1	NATURAL	TITLE : PUSH SWITCH			UNIT : mm	DRWG NO.:
3	CASE	PA66/BRASS STRIP	1	GREY/Ag PLATED	MODEL:			SCALE: 5:1	DWN.
2	COVER	PA66+15%F.G	1	BLACK					2016-10-14
1	KNOB	PA66+15%F.G/PBS STRIP	1	BLACK/Ag CLAD				CHK'D	2016-10-14
NO.	PARTS	MATERIALS	Q'TY		APPD.				