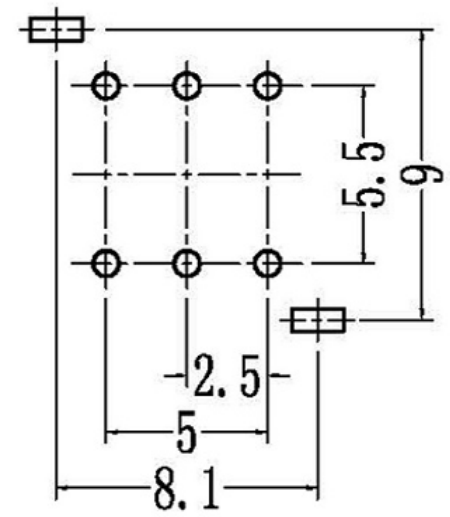
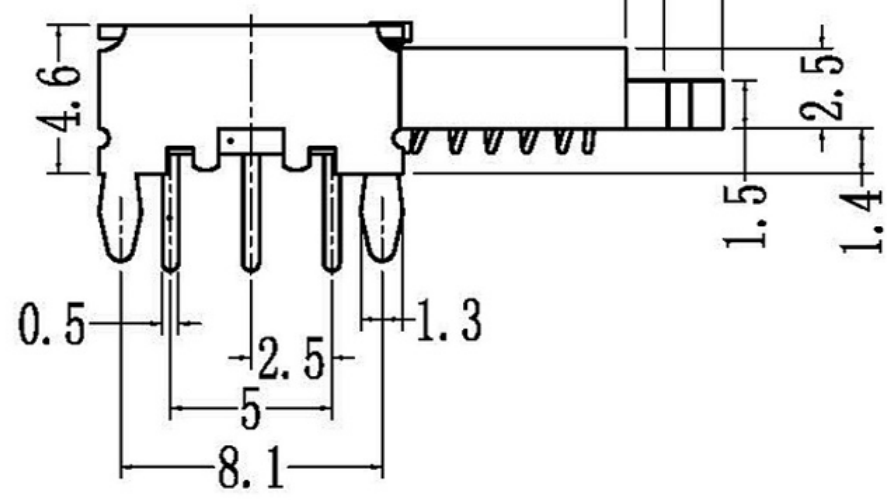
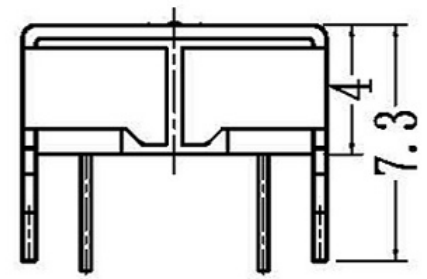



3 TOTAL TRAVEL
1.8 LOCK TRAVEL



P.C.B LAYOUT
BOTTOM VIEW

注：“*”表示关键尺寸(6个)

8										
7										
6										
5	SPRING	SUS304	1	NATURAL						
4	CAM STICK	SUS304	1	NATURAL						
3	CASE	PA66/BRASS STRIP	1	GREY/Ag PLATED						
2	COVER	PA66+15%F.G	1	BLACK						
1	KNOB	PA66+15%F.G/PBS STRIP	1	BLACK/Ag CLAD						
NO.	PARTS	MATERIALS	Q'TY							
					TOLERANCE UNLESS SPECIFIED					
					WITHIN 1.5mm : ±0.1mm	A	2016-10-14	初版		
					OVER 1.5mm : ±0.2mm	ISSUE	DATE	DESCRIPTIONS OF REVISION		APPD.
					TITLE : PUSH SWITCH			UNIT : mm	DRWG NO.:	
					MODEL:			SCALE: 5:1	DWN.	2016-10-14
									CHK'D	2016-10-14
									APPD.	