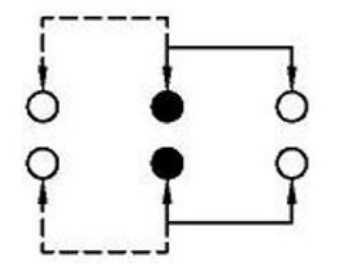
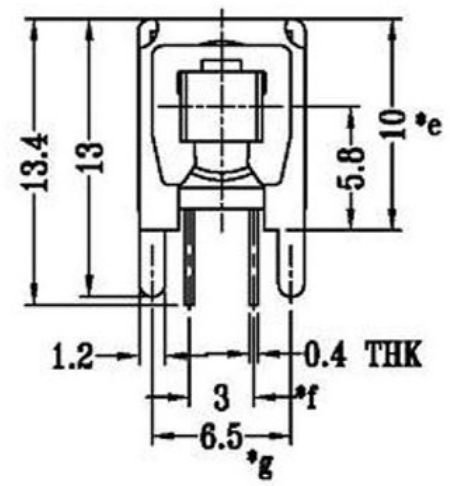
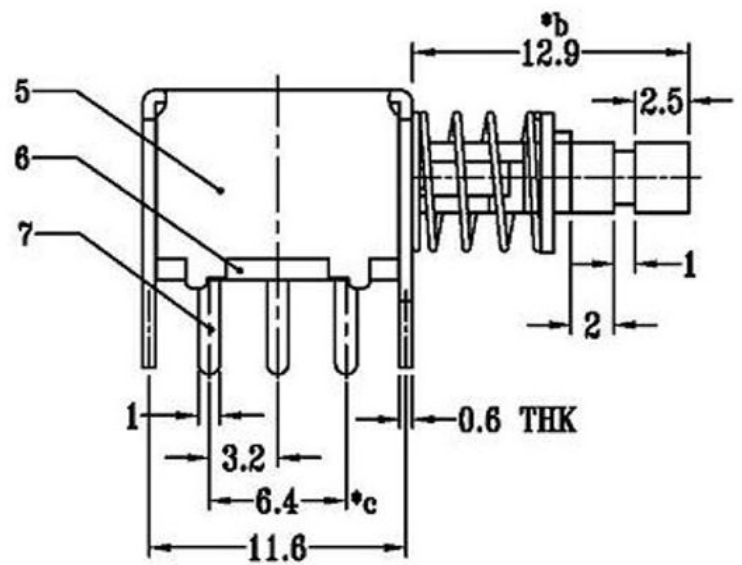


**P.C.B LAYOUT  
BOTTOM VIEW**



**SCHEMATIC (NON-SHORTING)**

\*a



注：“\*”表示关键尺寸(6个).

8									
7									
6									
5	SPRING	SUS304	1	NATURAL					
4	CAM STICK	SUS304	1	NATURAL					
3	CASE	PA66/BRASS STRIP	1	GREY/Ag PLATED					
2	COVER	PA66+15%F.G	1	BLACK					
1	KNOB	PA66+15%F.G/PBS STRIP	1	BLACK/Ag CLAD					
NO.	PARTS	MATERIALS	Q'TY						
					TOLERANCE UNLESS SPECIFIED				
					WITHIN 1.5mm : ±0.1mm	A	2016-10-14	初版	
					OVER 1.5mm : ±0.2mm	ISSUE	DATE	DESCRIPTIONS OF REVISION	
					TITLE : PUSH SWITCH			UNIT : mm	DRWG NO.:
					MODEL:			SCALE: 5:1	DWN.
									2016-10-14
									2016-10-14