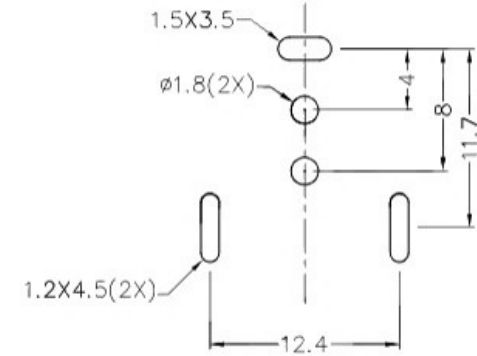
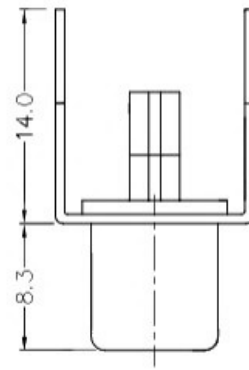


REMARK:

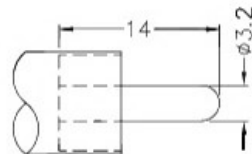
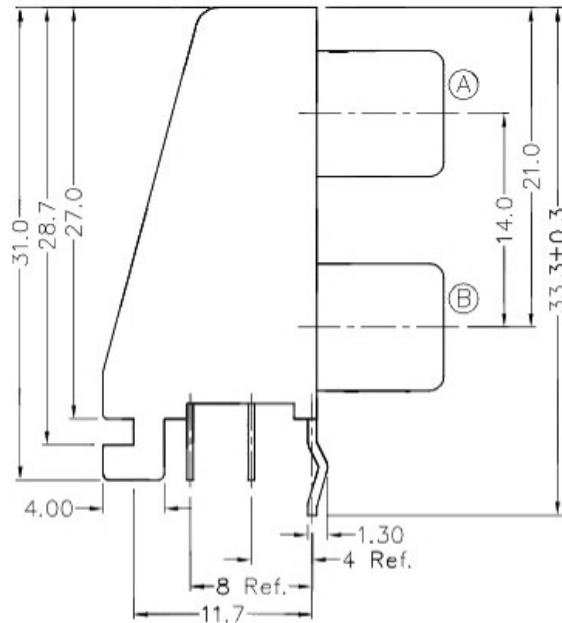
MODEL NO.	(A)	(B)
002-BK-BK	BLACK	BLACK
002-RE-RE	RED	RED
002-WH-WH	WHITE	WHITE
002-RE-WH	RED	WHITE
002-WH-RE	WHITE	RED
002-YE-RE	YELLOW	RED
002-RE-BK	RED	BLACK

RoHS  
Compliant

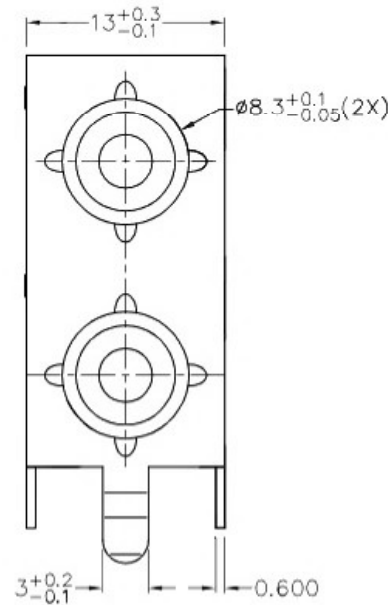
ZONE	SYMBOL	REVISION	APPROVAL	DATE



RECOMMENDED PCB LAYOUT  
TOLERANCE:  $\pm 0.05$   
(TOP VIEW)



RCA MATE PLUG




\* MATERIAL

SHELL : BRASS  
BRACKET : C.R.STEEL  
CENTRE CONTACT : BRASS  
INSULATION WASHER : THERMOPLASTIC

 广东科斯达开关厂

DESIGN	J.JIANG	DATE	18-6-2004	SCALE	2:1
DRAWING	T.Y.LI	DATE	21-3-2017	MATERIAL	*
CHECK	H.L.TAN	DATE	21-3-2017	DWG. NO.	TZ\RC002-B/1.0
APPROVAL		DATE		SHEET	

PART NAME	RCA SOCKET	TOLERANCE UNLESS	0.0±0.2	UNIT: 
PART NO.		OTHERWISE SPECIFIED:	0.00±0.1 0.000±0.05	

F

E

D

C

B

A