

F

E

D

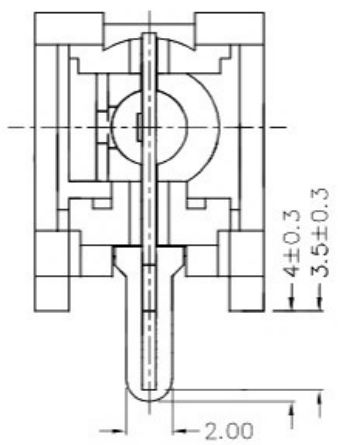
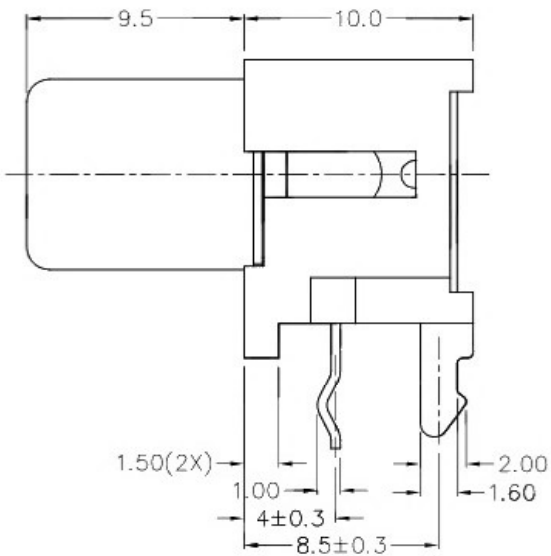
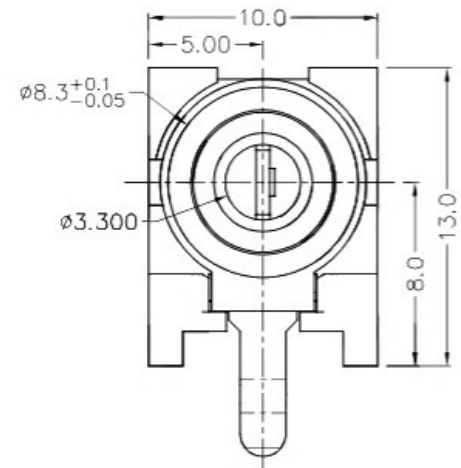
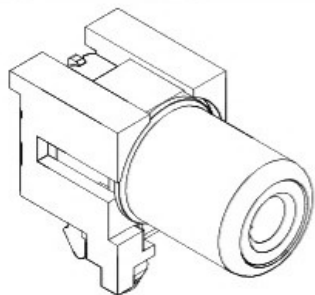
C

B

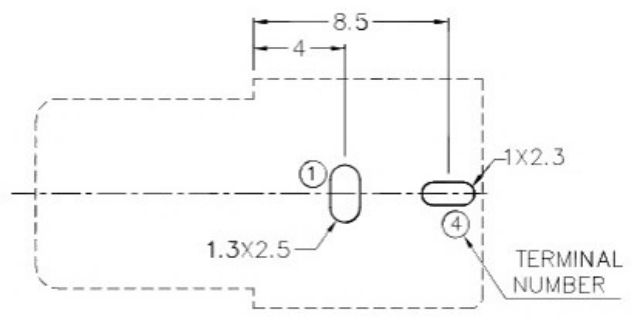
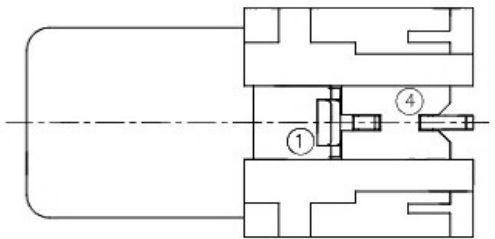
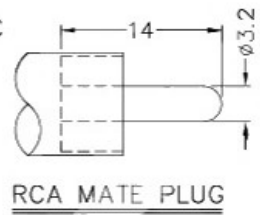
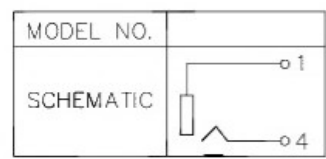
A

ZONE	SYMBOL	REVISION	APPROVAL	DATE

RoHS
Compliant



* MATERIAL
 TERMINAL 1 : C.R.STEEL
 TERMINAL 4 : BRASS
 HOUSING : THERMOPLASTIC



RECOMMENDED PCB LAYOUT
 TOLERANCE: ±0.05
 (TOP VIEW)

广东科斯达开关厂

DESIGN	T.Y.LI	DATE	29-9-2003	SCALE	3:1
DRAWING	Y.J.GUO	DATE	24-3-2017	MATERIAL	*
CHECK	H.L.TAN	DATE	24-3-2017	DWG. NO.	TZ\RC016-2-B/1.0
APPROVAL		DATE		SHEET	A

PART NAME	RCA SOCKET	TOLERANCE UNLESS	0.0±0.2	UNIT:
PART NO.		OTHERWISE SPECIFIED:	0.00±0.1 0.000±0.05	

F

E

D

C

B

A