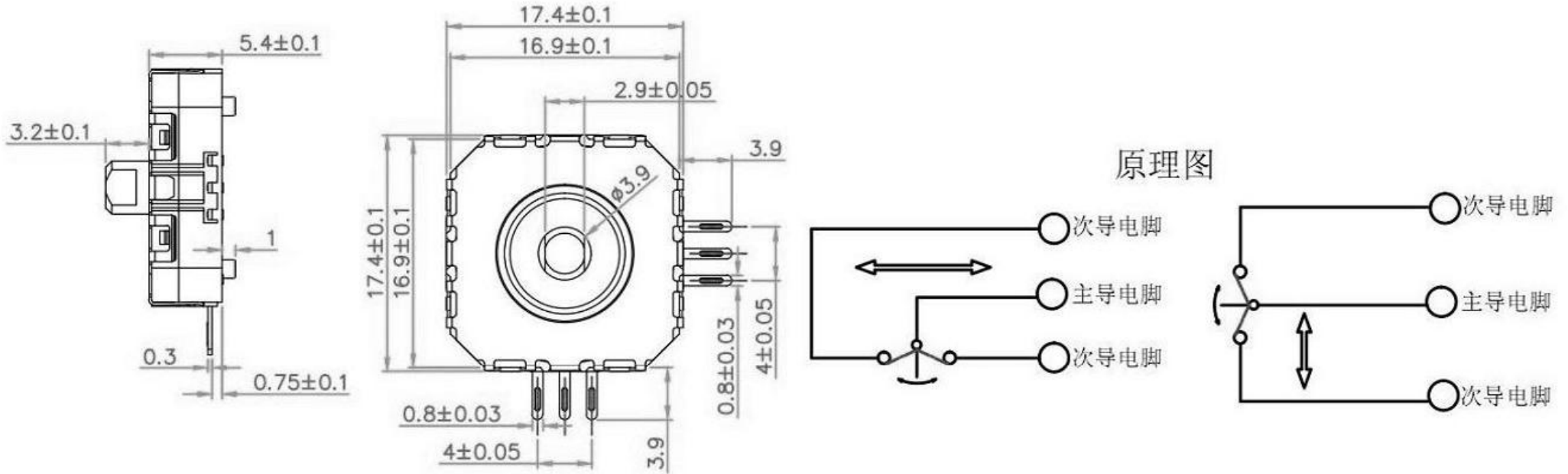


REVISION

A



TITLE		TACT SWITCH		DRAWN		许金龙		TOLERANCE OTHERWISE UNLESS SPECIFIED					
PRODUCT NO.				CHECKED		吴永友							
DRAWING NO.				APPROVED		赵崇生		TOLERANCE		± 0.2			
SCALE		5:1		UNIT		mm		ANGLE TOL		± 1°			
				DATE									
<p>广东科斯达电子科技有限公司 Guang dong Keside Electronic Technology Co., Ltd. 广东科斯达电器开关厂 Guang dong Keside Electrical Switch Factory</p>													
	NO.	PARTS		MATERIAL		QTY							