

F

E

D

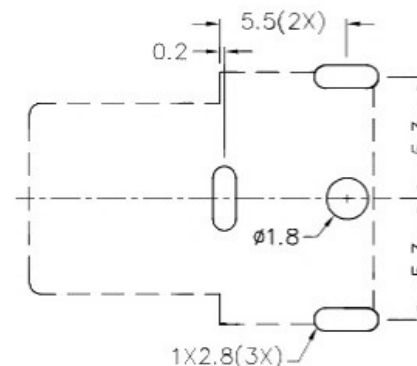
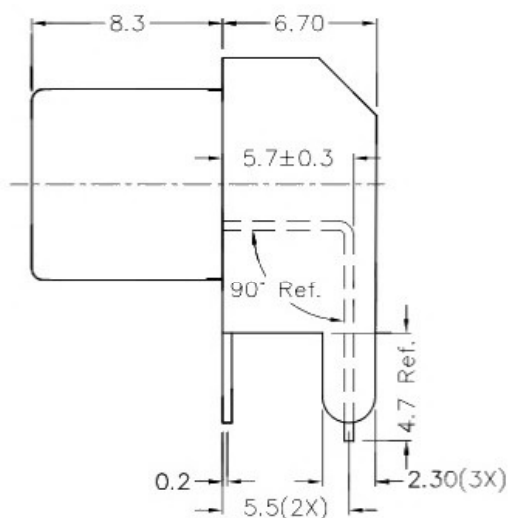
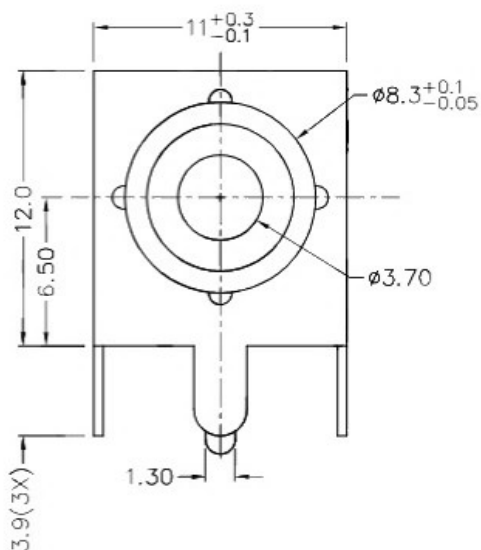
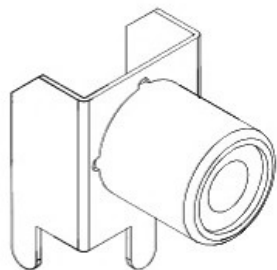
C

B

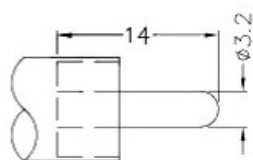
A

ZONE	SYMBOL	REVISION	APPROVAL	DATE

RoHS  
Compliant



RECOMMENDED PCB LAYOUT  
TOLERANCE: ±0.05  
(TOP VIEW)



RCA MATE PLUG

\* MATERIAL

SHELL : BRASS  
BRACKET : C.R.STEEL  
CENTRE CONTACT : BRASS  
INSULATION WASHER : THERMOPLASTIC

 广东科斯达开关厂

PART NAME	RCA SOCKET	TOLERANCE UNLESS	0.0±0.2	UNIT:	mm	DESIGN	T.Y.LI	DATE	12-3-2004	SCALE	3:1
PART NO.		OTHERWISE SPECIFIED:	0.00±0.1 0.000±0.05				DRAWING	Y.J.GUO	DATE	22-3-2017	MATERIAL
						CHECK	H.L.TAN	DATE	22-3-2017	DWG. NO.	TZ\RC015-B/1.0
						APPROVAL		DATE		SHEET	

F

E

D

C

B

A