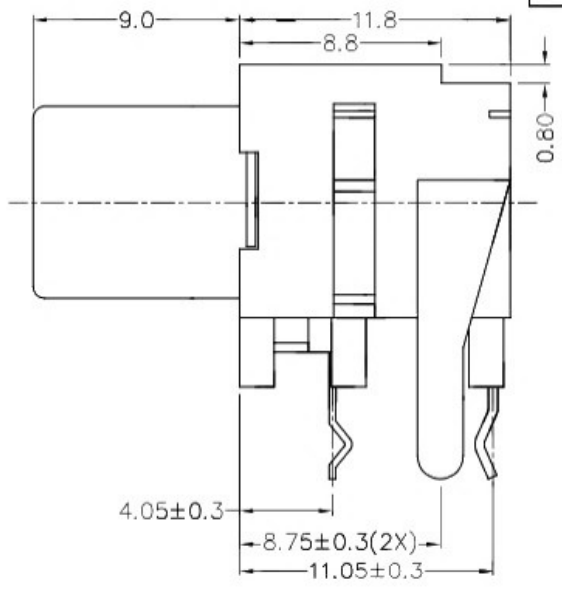
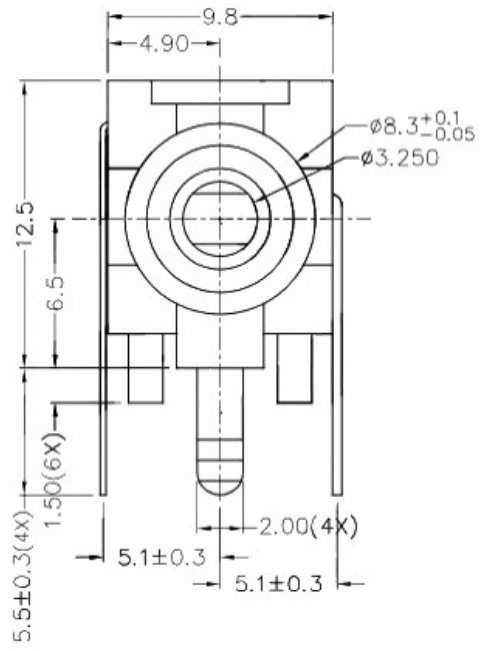
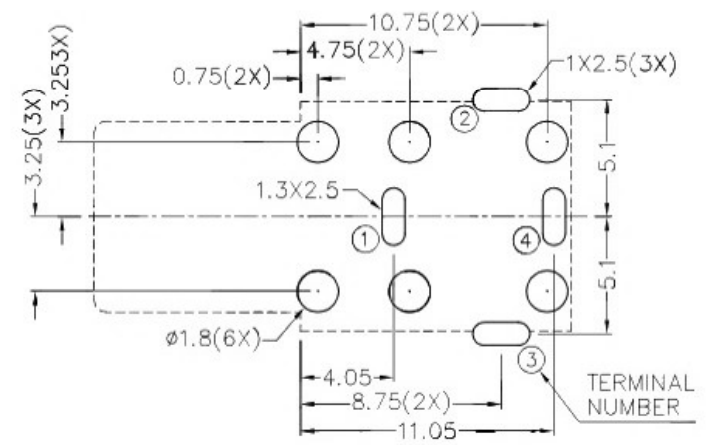
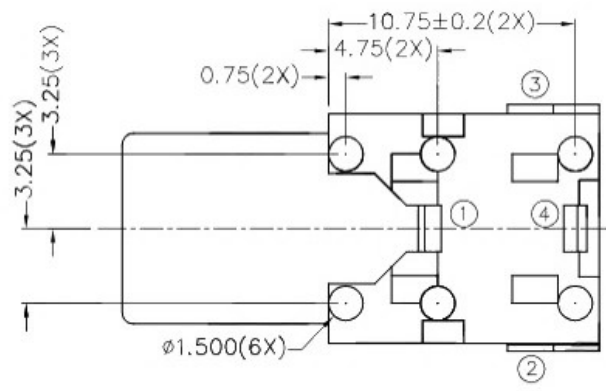
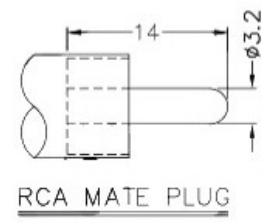
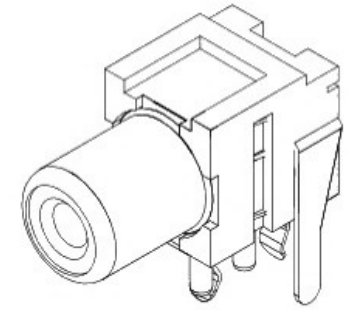


F E D C B A

ZONE	SYMBOL	REVISION	APPROVAL	DATE



RoHS
Compliant



B	BLACK	SCHEMATIC				
R	RED					
W	WHITE					
Y	YELLOW					

* MATERIAL
 TERMINAL 1 : C.R.STEEL
 TERMINAL 2 : COPPER ALLOY
 TERMINAL 3 : BRASS
 TERMINAL 4 : COPPER ALLOY
 HOUSING : THERMOPLASTIC

广东科斯达开关厂

DESIGN	K.YAU-YEUNG	DATE	29-9-2003	SCALE	3:1
DRAWING	T.Y.LI	DATE	21-3-2017	MATERIAL	*
CHECK	H.L.TAN	DATE	21-3-2017	DWG. NO.	TZ\RC005-B/1.0
APPROVAL		DATE		SHEET	

PART NAME	RCA SOCKET	TOLERANCE UNLESS	0.0±0.2	UNIT:
PART NO.		OTHERWISE SPECIFIED:	0.00±0.1 0.000±0.05	

F E D C B A