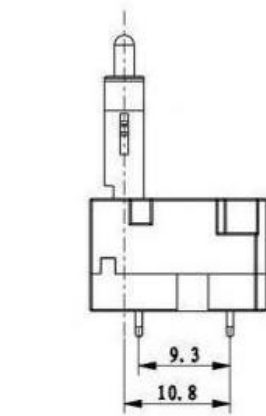
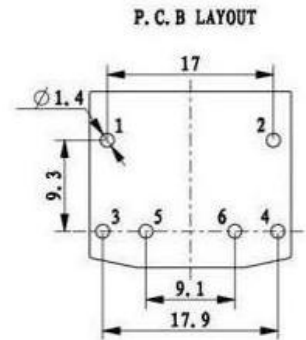
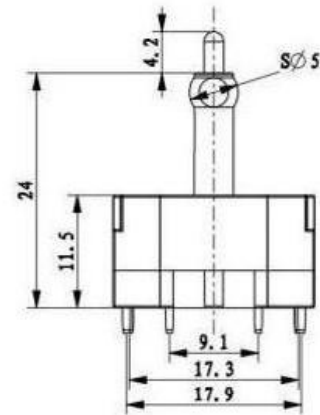
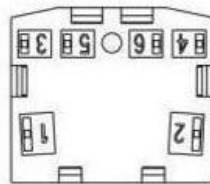
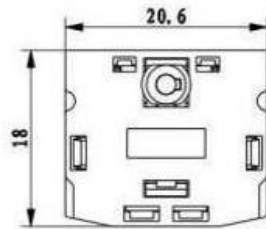
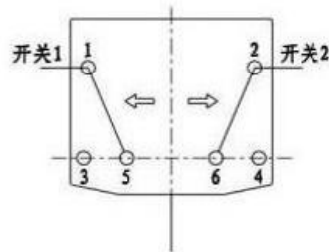


REVISION

A



CIRCUIT



TITLE		TACT SWITCH		DRAWN		许金龙		TOLERANCE OTHERWISE UNLESS SPECIFIED					
PRODUCT NO.				CHECKED		吴永友		TOLERANCE		± 0.2			
DRAWING NO.				APPROVED		赵崇生		ANGLE TOL		± 1°			
SCALE	5:1	UNIT	mm	DATE									
<p>广东科斯达电子科技有限公司 Guang dong Keside Electronic Technology Co., Ltd. 广东科斯达电器开关厂 Guang dong Keside Electrical Switch Factory</p>													
NO.		PARTS		MATERIAL		QTY							