

F

E

D

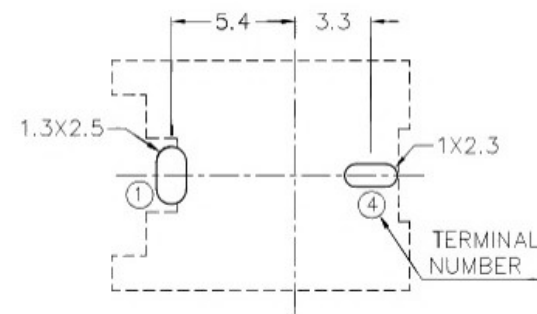
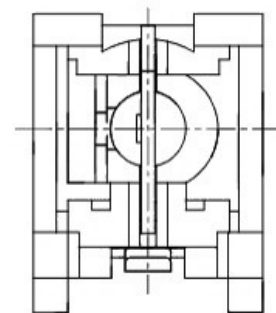
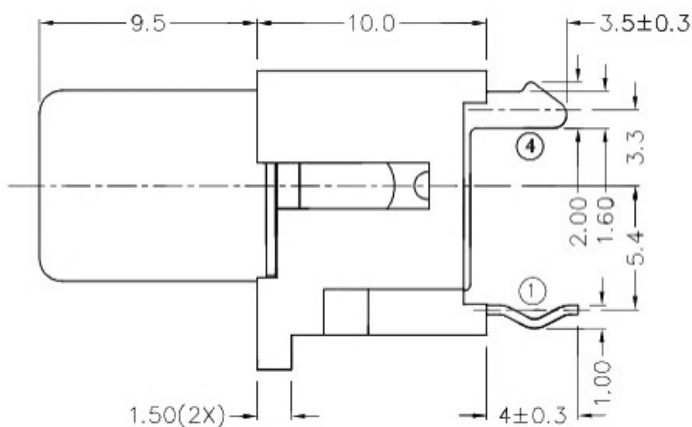
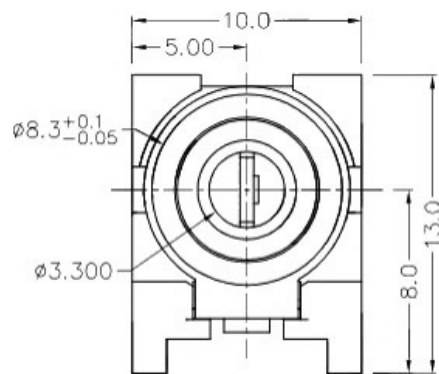
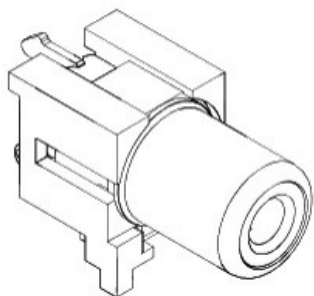
C

B

A

ZONE	SYMBOL	REVISION	APPROVAL	DATE

RoHS
Compliant

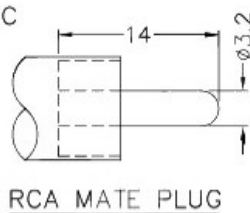


RECOMMENDED PCB LAYOUT
TOLERANCE: ±0.05
(TOP VIEW)

* MATERIAL

TERMINAL 1 : C.R.STEEL
TERMINAL 4 : BRASS
HOUSING : THERMOPLASTIC

MODEL NO.	○1
SCHEMATIC	



RCA MATE PLUG

广东科斯达开关厂

DESIGN	T.Y.LI	DATE	29-9-2003	SCALE	3:1
DRAWING	Y.J.GUO	DATE	24-3-2017	MATERIAL	*
CHECK	H.L.TAN	DATE	24-3-2017	DWG. NO.	TZ\RC016-3-B/1.0
APPROVAL		DATE		SHEET	

PART NAME

RCA SOCKET

TOLERANCE UNLESS

0.0±0.2

0.00±0.1

OTHERWISE SPECIFIED: 0.000±0.05

UNIT:



F

E

D

C

B

A