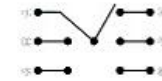
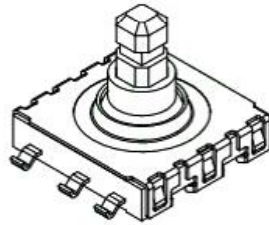
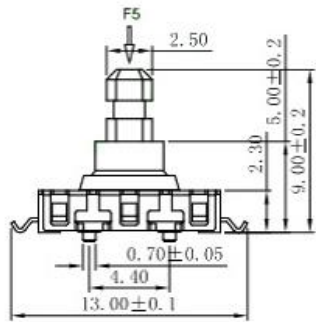
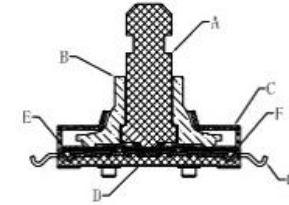
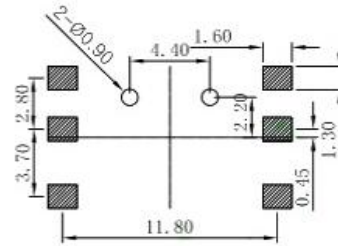
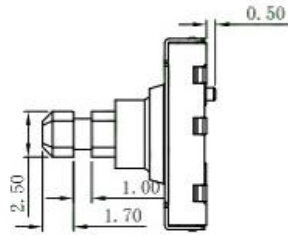
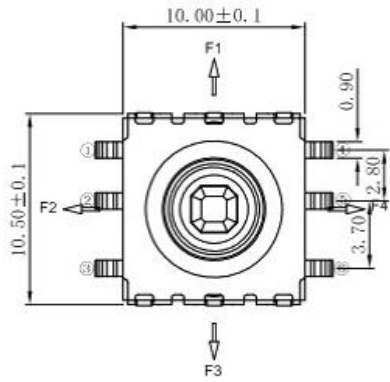


REVISION

A



■ 电路图

	①	②	③	④	⑤	⑥
F1	o			o		
F2	o	o				
F3	o					o
F4					o	
F5	o	o				

TITLE		TACT SWITCH		DRAWN		许金龙		TOLERANCE OTHERWISE UNLESS SPECIFIED					
PRODUCT NO.				CHECKED		吴永友		TOLERANCE		± 0.2			
DRAWING NO.				APPROVED		赵崇生		ANGLE TOL		± 1°			
SCALE		5:1		UNIT		mm		DATE					
NO.		PARTS		MATERIAL		QTY							