

F

E

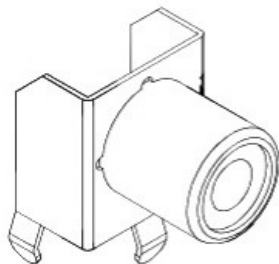
D

C

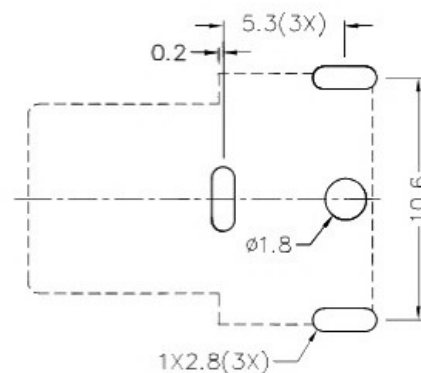
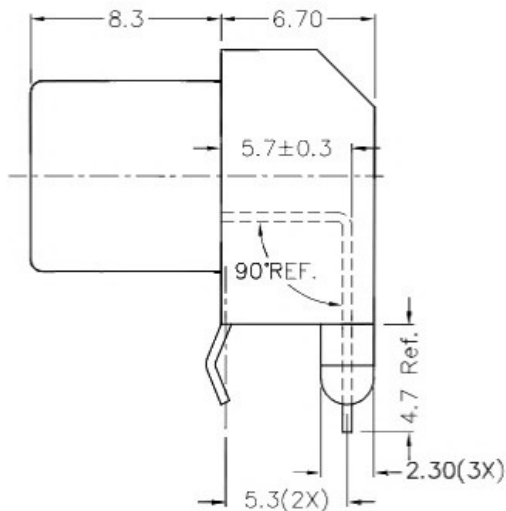
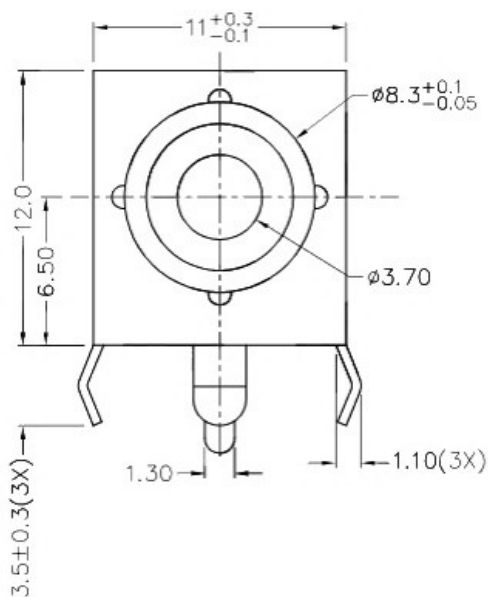
B

A

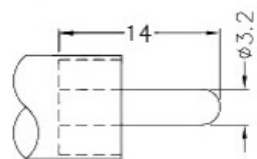
ZONE	SYMBOL	REVISION	APPROVAL	DATE



RoHS
Compliant



RECOMMENDED PCB LAYOUT
TOLERANCE: ±0.05
(TOP VIEW)




RCA MATE PLUG

* MATERIAL

SHELL : BRASS
BRACKET : C.R.STEEL
CENTRE CONTACT : BRASS
INSULATION WASHER : THERMOPLASTIC

 广东科斯达开关厂

DESIGN	J.JIANG	DATE	2-6-2004	SCALE	3:1
DRAWING	Y.J.GUO	DATE	21-3-2017	MATERIAL	*
CHECK	T.Y.LI	DATE	21-3-2017	DWG. NO.	TZ\RC008-B/1.0
APPROVAL		DATE		SHEET	

PART NAME	RCA SOCKET	TOLERANCE UNLESS	0.0±0.2	UNIT: 
PART NO.		OTHERWISE SPECIFIED:	0.00±0.1 0.000±0.05	

F

E

D

C

B

A