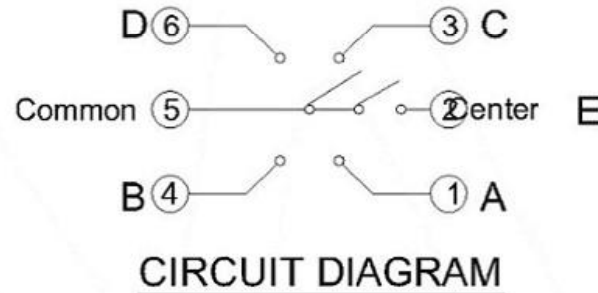
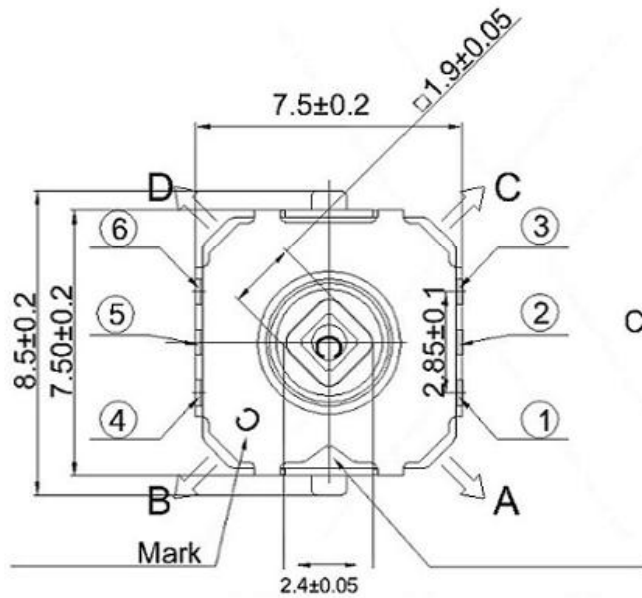
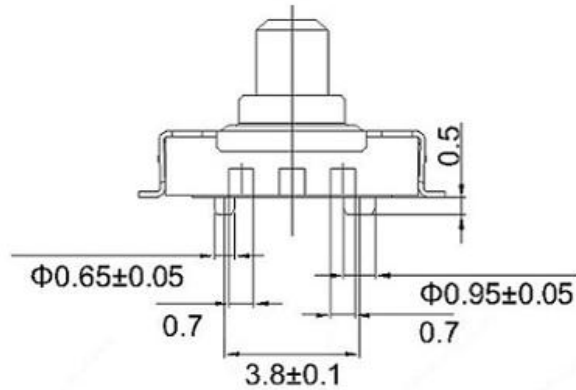
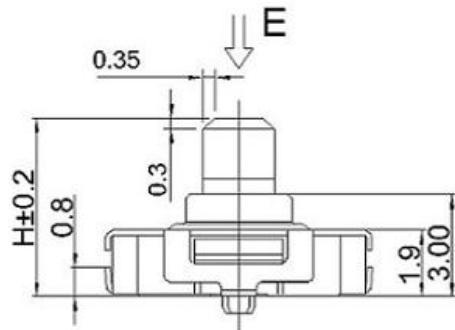
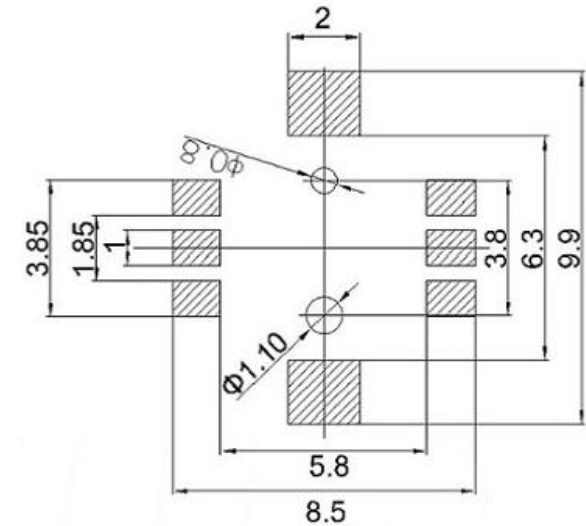


REVISION	A
----------	---



Operating force	A	4 Direction 180±50gf Center 250±50gf
	B	4 Direction 240±50gf Center 360±50gf
Height	H: A: 5 B: 6	



P.C.B LAND DIMENSION

SPECIFICATION

1. Rating: DC 12V 50mA Max
2. Contact resistance: 500mΩ MAX
3. Insulation resistance: 100MΩ Min
4. Dielectric strength: 250VAC/min
5. TRAVEL: CENTER 0.15±0.10mm
(4-DIRECTION) 0.25±0.15mm

TITLE		TACT SWITCH		DRAWN		许金龙		TOLERANCE OTHERWISE UNLESS SPECIFIED					
PRODUCT NO.				CHECKED		吴永友		TOLERANCE		± 0.2			
DRAWING NO.				APPROVED		赵崇生		ANGLE TOL		± 1°			
SCALE		5:1		UNIT		mm		DATE					
										NO.	PARTS	MATERIAL	QTY