

F

E

D

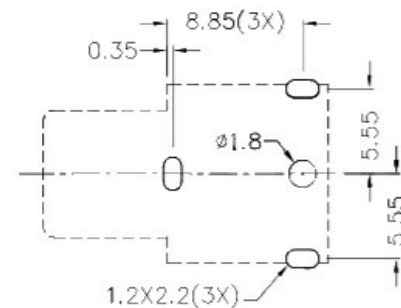
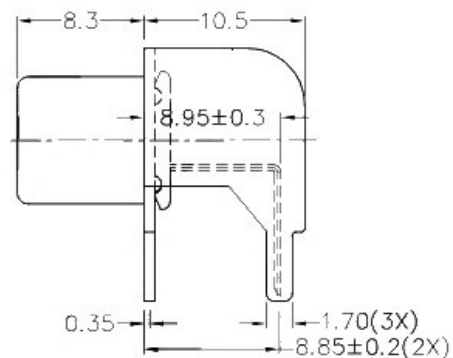
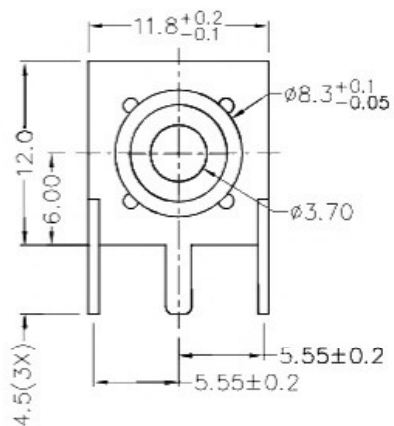
C

B

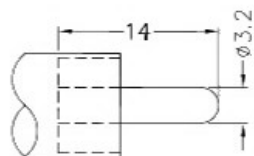
A

RoHS
Compliant

ZONE	SYMBOL	REVISION	APPROVAL	DATE




RECOMMENDED PCB LAYOUT
TOLERANCE: ± 0.05
(TOP VIEW)



RCA MATE PLUG

* MATERIAL

SHELL : BRASS
BRACKET : C.R.STEEL
CENTRE CONTACT : BRASS
INSULATION WASHER : THERMOPLASTIC

 广东科斯达开关厂

DESIGN	T.Y.LI	DATE	12-3-2004	SCALE	2:1
DRAWING	Y.J.GUO	DATE	22-3-2017	MATERIAL	*
CHECK	H.L.TAN	DATE	22-3-2017	DWG. NO.	TZ\RC009-B/1.0
APPROVAL		DATE		SHEET	

PART NAME
PART NO.

RCA SOCKET

TOLERANCE UNLESS
OTHERWISE SPECIFIED:

0.0 \pm 0.2
0.00 \pm 0.1
0.000 \pm 0.05

UNIT:
mm



F

E

D

C

B

A