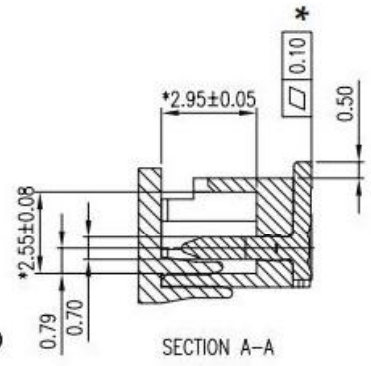
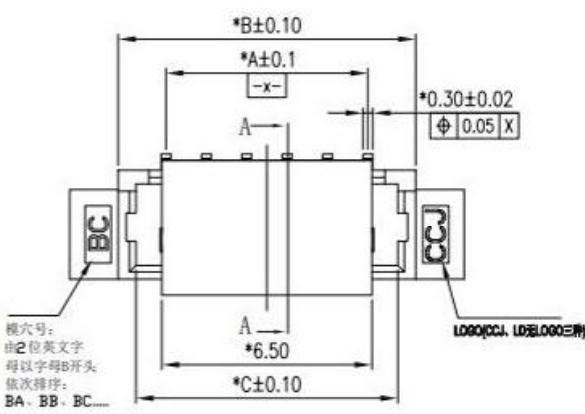
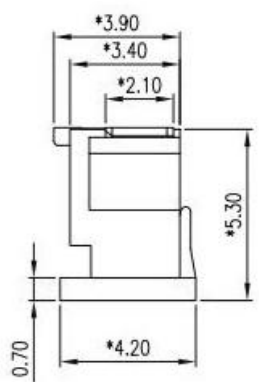
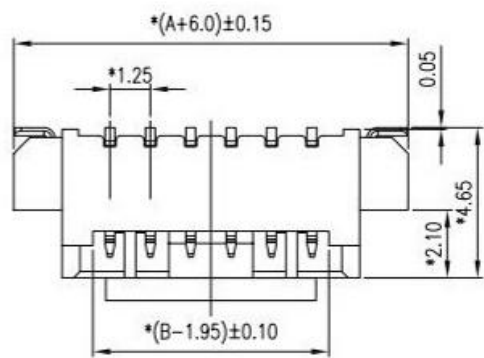


版本	变更编号	说明	日期	签名
1.0	—	NEW	5/6-20	JIMMY.LUO



Specifications

- 1.Current Rating:1Amps
- 2.VOLTAGE RATING:125V AC,DC
- 3.Operating Temperature:-25℃ to+85℃
- 4.Contact Resistance:30 mΩ Max.
- 5.Insulation Resistance:100 MΩ Min.
- 6.Dielectric withstanding Voltage: AC 500V
- 7.Contact Material: Phosphor Bronze T=0.30mm
- 8.Soldering lug:Brass T=0.25mm
- 9.Insulation Material:LCP 30% Glass fiber filled UL94V-0 rated;
- 10.Plated: Plated: 80U" MIN TIN PLATING Nickel plated with 30u"-60u"
- 11.Salt Spray:12h;
- 12.Marked "*" symbol are major dimensions.

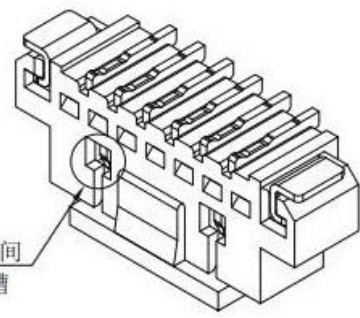
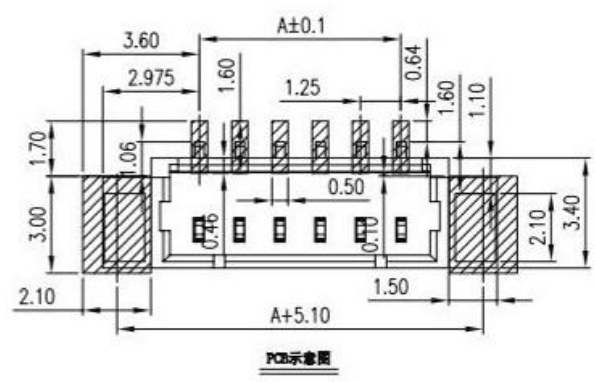
Ordering Information

LA1251AWV XX - X X X XX X

CONNECTOR TYPE: PH1.25 WAFER SMT VERTICAL
 NO. OF PIN: 02SPIN, 03SPIN, 25SPIN
 INSULATOR MATERIAL: 4. LCP(COLOR:BEIGE)
 METALS MATERIAL: 2. CONTACT PHOSPHOR BRONZE, *GROUND LUG BRASS
 PLATING: 6. BRIGHT TIN
 SPECIAL CODE: C,CAP, R(WITHOUT CAP)
 PACKING: B,TUBE, D,TAPE REEL

TABLE:

N	A	B	C
2	1.25	4.25	3.10
3	2.50	5.50	4.35
4	3.75	6.75	5.60
5	5.00	8.00	6.85
6	6.25	9.25	8.10
7	7.50	10.50	9.35
8	8.75	11.75	10.60
9	10.00	13.00	11.85
10	11.25	14.25	13.10
11	12.50	15.50	14.35
12	13.75	16.75	15.60
13	15.00	18.00	16.85
14	16.25	19.25	18.10
15	17.50	20.50	19.35
16	18.75	21.75	20.60
17	20.00	23.00	21.85
18	21.25	24.25	23.10
19	22.50	25.50	24.35
20	23.75	26.75	25.60
21	25.00	28.00	26.85
22	26.25	29.25	28.10
23	27.50	30.50	29.35
24	28.75	31.75	30.60
25	30.00	33.00	31.85



未标公差尺寸
公差标准

线性	角度
.0 ±0.30	X.° ±2°
.00 ±0.20	.X° ±1°
.000 ±0.10	.XX° ±0.5°

广东科斯达开关厂

品名	WF PH1.25 nP 立贴 带吸胶框	制图	JIMMY.LUO	日期	5/6-20
料号		审核			
文件编号		核准			
比例	1:1	单位	mm	版本	1.0
页码	1/1	尺码	A4		