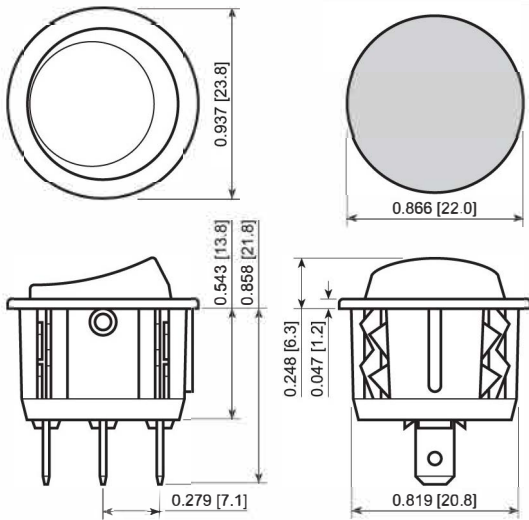


RRGA Series

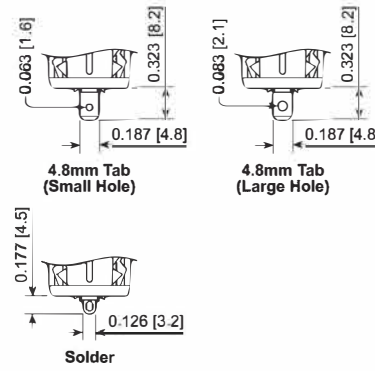


ROCKER

Panel Cutout



Terminal Options



FEATURES:

- Aesthetically Designed
- High Ratings with UL Approval
- Single Pole With Many Functions
- Glossy Finish

SPECIFICATIONS:

RATING: OPTION 3:
10A 125VAC [UL, cUL]
6A 250VAC [UL, cUL]

TEMPERATURE: -20°C to 105°C [UL, cUL]

ELECTRICAL LIFE: 10,000 Cycles
CONTACT RESISTANCE: 35mΩ Max.
INSULATION RESISTANCE: 100MΩ Min. at 500VDC
DIELECTRIC STRENGTH: 1,500VAC for 1 Minute



RRGA113228E



RRGA1431100

Series	Terminal	Function	Rating	Body Color	Actuator Color	Marking Color	Marking Type
RRGA - 22mm Dia. Cutout	1 - 4.8mm Tab (Small Hole) 5 - Solder 8 - 4.8mm Tab (Large Hole)	1 - Off-On 3 - On-On 4 - Off-(On) 5 - On-Off-On A - On-(Off) B - On-(On) C - On-Off-(On)	3 - 10A 125VAC	1 - Black 2 - White 3 - Almond 4 - Grey 5 - Orange 7 - Blue 8 - Green 9 - Red	1 - Black 2 - White 3 - Almond 4 - Grey 5 - Orange 7 - Blue 8 - Green 9 - Red	0 - None 1 - Black 2 - White 8 - Red	0 - None 1 - I/O Vert. 2 - ON/OFF/ON Vert. 3 - ON/OFF Vert. 4 - ON/OFF Horiz. 9 - I/O/II Horiz. S - I/O/II Vert. R - I/O Horiz.

Specifications subject to change without notice 10.25.2017

Custom Colors and Markings Available Upon Request

EXAMPLE PART NUMBERS:

RRGA8131121 1P Off-On
Black Body/Actuator, I/O Vert.
RRGA8132200 1P Off-On
White Body/Actuator, No Marking

SPECIFICATIONS SUBJECT TO CHANGE WITHOUT NOTICE 11.16.2021