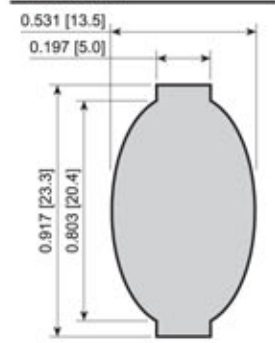
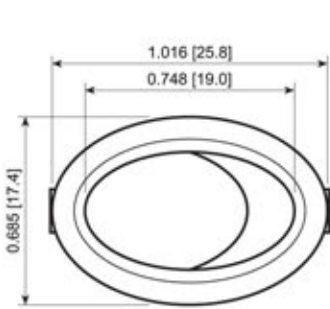


# RE1 Series



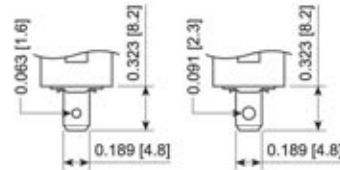
## Panel Cutout



## Illumination Options

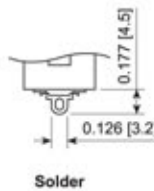


## Terminal Options



4.8mm Tab (Small Hole)

4.8mm Tab (Large Hole)



## FEATURES:

- Unique Oval Shape
- High Ratings with UL and VDE Approvals

## SPECIFICATIONS:

RATING: RATING OPTION C:

- 16A 125VAC [UL, cUL]
- 10A 250VAC [UL, cUL]
- 1/3HP 125/250VAC [UL, cUL]
- 10(4)A 250V- 1E4 T125 [VDE]
- 10(2)A 250V- 5E4 T85 [VDE]

RATING OPTION 3:

- 10A 125VAC [UL, cUL]
- 6(2)A 250V- 1E4 T125 [VDE]

TEMPERATURE: -20°C to 105°C [UL, cUL]  
-20°C to 125°C [VDE]

ELECTRICAL LIFE: 10,000 Cycles

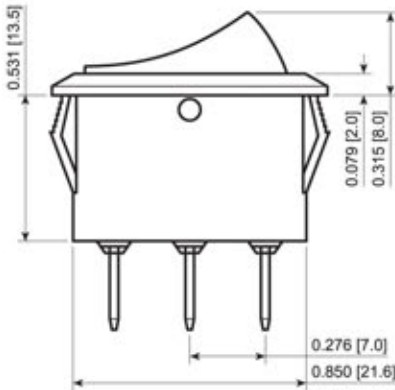
CONTACT RESISTANCE: 35mΩ Max.

INSULATION RESISTANCE: 100MΩ Min. at 500VDC

DIELECTRIC STRENGTH: 1,500VAC for 1 Minute

## MATERIALS:

- BODY: Polyamide 6/6, UL94 V-2
- ACTUATOR: Polyamide 6/6, UL94 V-2  
Polycarbonate, UL94 V-2
- CONTACTS: Silver Alloy
- TERMINALS: Silver Plated Copper



SPECIFICATIONS SUBJECT TO CHANGE WITHOUT NOTICE



Series	Terminal	Function	Rating	Body Color	Actuator Color	Marking Color	Marking Type	Lens Style	Lens Color	Lamp Voltage
RE1 - Curved Actuator	1 - 4.8mm Tab (Small Hole) 5 - Solder 8 - 4.8mm Tab (Large Hole)	1 - Off-On (*) 3 - On-On 5 - On-Off-On	3 - 10A 125VAC C - 16A 125VAC	1 - Black 2 - White 3 - Almond 4 - Grey 5 - Orange 7 - Blue 8 - Green 9 - Red	0 - Full Illum. 1 - Black 2 - White 3 - Almond 4 - Grey 5 - Orange 7 - Blue 8 - Green 9 - Red	0 - None 1 - Black 2 - White 8 - Red	0 - None 1 - I/O Vert. 2 - ON/OFF/ON Vert. 3 - ON/OFF Vert. 4 - ON/OFF Horiz. 9 - I/O/I Horiz. S - I/O/I Vert. R - I/O Horiz.	1 - Full	0 - Clear 1 - Red 2 - Amber 3 - Green 4 - Blue 5 - Yellow	4 - 12V 5 - 24V 6 - 125V 7 - 250V

Note:  
\* = Option Available with Illumination

Custom Colors and Markings Available Upon Request For Illuminated Switches Only

## EXAMPLE PART NUMBERS:

- RE11131000-118 1P Off-On  
Black Body, Red Illum. Actuator, No Marking
- RE11131100 1P Off-On  
Black Body/Actuator, No Marking
- RE11131121 1P Off-On  
Black Body/Actuator, I/O Vert.
- RE111C1100 1P Off-On  
Black Body/Actuator, No Marking
- RE111C1121 1P Off-On  
Black Body/Actuator, I/O Vert.
- RE11331100 1P On-On  
Black Body/Actuator, No Marking
- RE113C1100 1P On-On  
Black Body/Actuator, No Marking