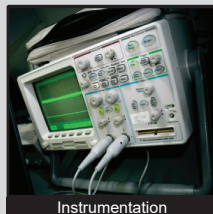
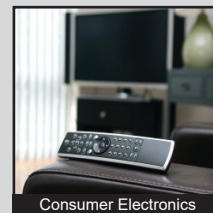
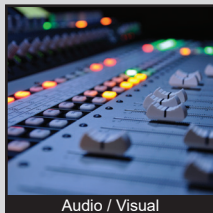


# TL3300 SERIES TACT SWITCH

ANTI-VANDAL SWITCHES  
 DETECTOR SWITCHES  
 DIP SWITCHES  
 KEYLOCK SWITCHES  
 NAVIGATION SWITCHES  
 PUSHBUTTON SWITCHES  
 ROCKER SWITCHES  
 ROTARY SWITCHES  
 SLIDE SWITCHES  
 SNAP ACTION SWITCHES  
**TACTILE SWITCHES**  
 TOGGLE SWITCHES  
 CAP OPTIONS



## APPLICATIONS / MARKETS



**RoHS**

## SPECIFICATIONS

**Electrical Rating:** 50mA, 12VDC  
**Life Expectancy:** up to 200,000 Cycles  
**Contact Resistance:** 100mΩ Max.  
**Insulation Resistance:** 100MΩ Min. at 500VDC  
**Dielectric Strength:** 250VAC for 1 Minute  
**Operating Temperature:** -25°C to 70°C  
**Operating Force:** 160gf (200,000 cycles)  
                           260gf (100,000 cycles)  
                           320gf, 520gf (50,000 cycles)  
**Travel:** 0.35mm  
**Function:** SPST, Off-(On), Momentary

## FEATURES & BENEFITS

- Up to 200,000 cycle life expectancy
- Multiple actuator options
- Multiple force options

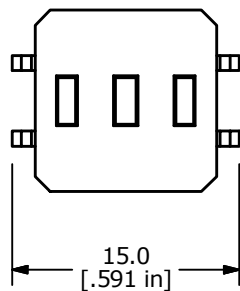
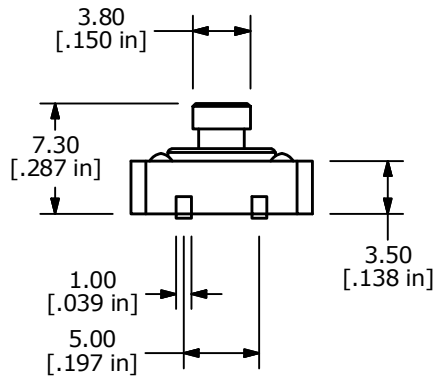
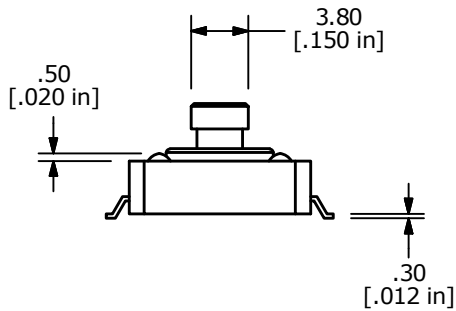
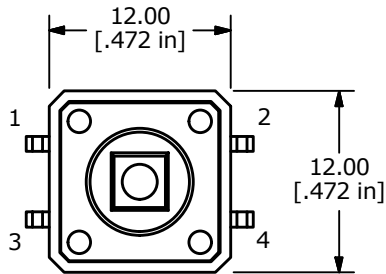
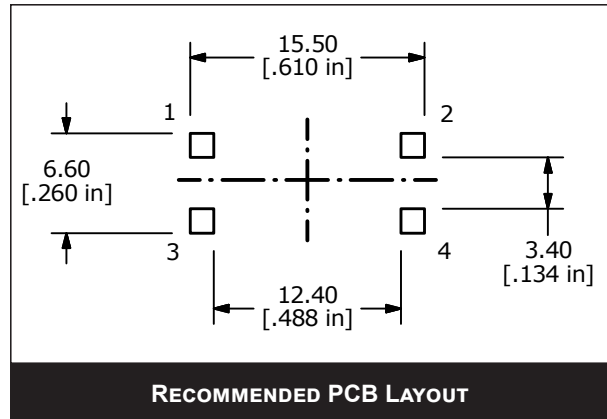
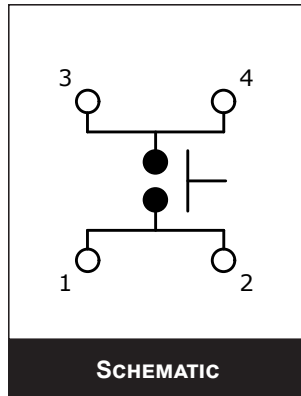
## PART NUMBER CONFIGURATOR

Series	Circuit	Actuator "L"	Operating Force	Plating
TL	3300 - Off-(On)	A - 7.3mm (Knob: 3.8mm Sq.) C - 8.5mm D - 4.3mm	F160 - 160 gf F260 - 260 gf F320 - 320 gf F520 - 520 gf	Q - Silver

*Specifications subject to change without notice 2.19.2019*

# TL3300 SERIES TACT SWITCH

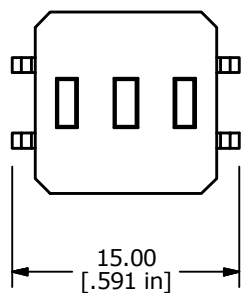
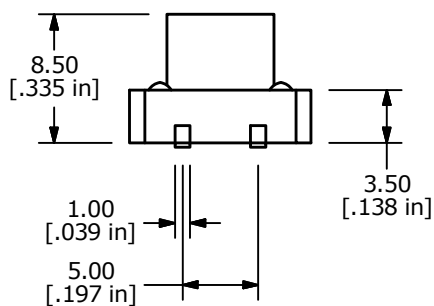
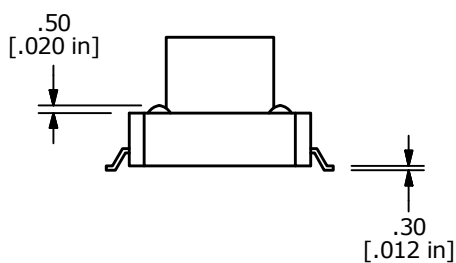
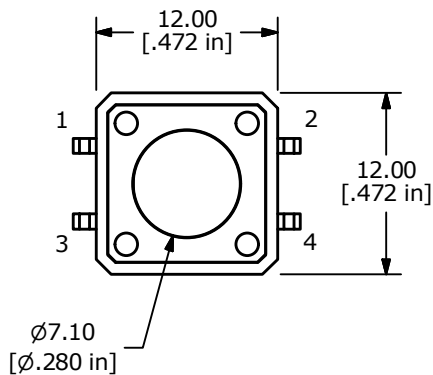
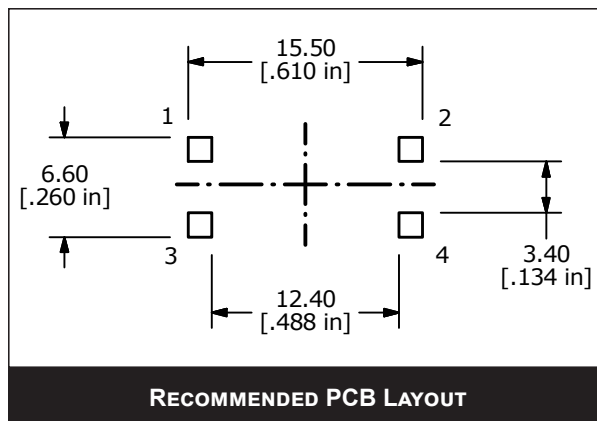
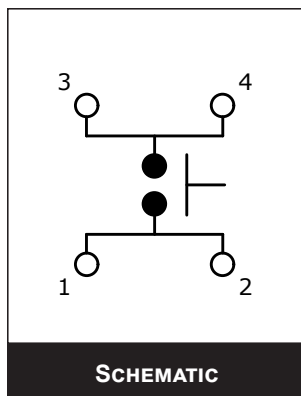
## BODY DIMENSIONS ACTUATOR OPTION A



# TL3300 SERIES TACT SWITCH

## BODY DIMENSIONS ACTUATOR OPTION C

- ANTI-VANDAL SWITCHES
- DETECTOR SWITCHES
- DIP SWITCHES
- KEYLOCK SWITCHES
- NAVIGATION SWITCHES
- PUSHBUTTON SWITCHES
- ROCKER SWITCHES
- ROTARY SWITCHES
- SLIDE SWITCHES
- SNAP ACTION SWITCHES
- TACTILE SWITCHES**
- TOGGLE SWITCHES
- CAP OPTIONS



# TL3300 SERIES TACT SWITCH

## BODY DIMENSIONS ACTUATOR OPTION D

