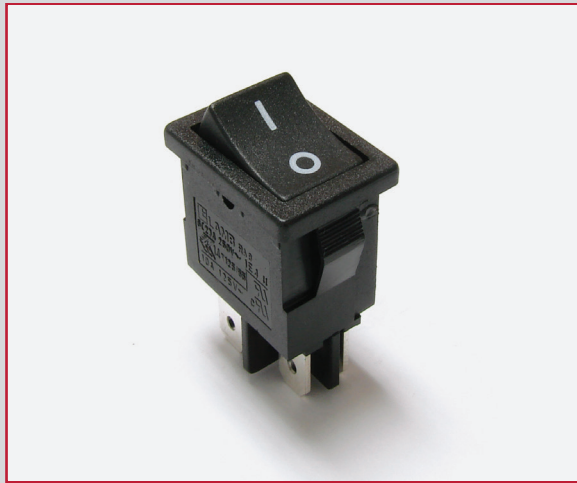


RA8 SERIES ROCKER SWITCH

ANTI-VANDAL SWITCHES
 DETECTOR SWITCHES
 DIP SWITCHES
 KEYLOCK SWITCHES
 NAVIGATION SWITCHES
 PUSHBUTTON SWITCHES
ROCKER SWITCHES
 ROTARY SWITCHES
 SLIDE SWITCHES
 SNAP ACTION SWITCHES
 TACTILE SWITCHES
 TOGGLE SWITCHES
 CAP OPTIONS



APPLICATIONS / MARKETS



RoHS

SPECIFICATIONS

Electrical Rating:

Option 3: 10A 125VAC [cURus]

Option C: 16A @ 125VAC 1/3HP T105 [cURus]
 10A @ 250VAC 1/3HP T105 [cURus]

Operating Temperature: -20°C to 55°C

Electrical Life: 10,000 Cycles

Mechanical Life: 100,000 Cycles

Contact Resistance: 35mΩ Max. at 500VDC

Insulation Resistance: 500MΩ Min. at 500VDC

Dielectric Strength: 1,500VAC for 1 min.

FEATURES & BENEFITS

- High Contact Rating Switch
- Industry Standard 13mm x 19mm Cutout
- Illumination Options
- Multiple Marking Options
- Multiple Terminal Options
- 1 or 2 Pole Maintained Functions

PART NUMBER CONFIGURATOR

Series	Terminal	Function	Rating	Body Color	Actuator Color	Marking Color	Marking Type	Lens Style	Lens Color	Lamp Voltage
RA8	1 - 4.8mm Tab 3 - PCB Pins	1 - 1 Pole Off-On 2 - 2 Pole Off-On	3 - 10A 125VAC C - 16A 125VAC	1 - Black 2 - White 4 - Grey 9 - Red	0 - Illuminated 1 - Black 2 - White 4 - Grey 9 - Red	0 - None 1 - Black 2 - White 8 - Red	0 - None 1 - I/O Vertical 3 - ON-OFF Vertical 4 - ON-OFF Horizontal R - I/O Horizontal	None - Not Illuminated 1 - Full	None - Not Illuminated 0 - White 1 - Red 2 - Orange 3 - Green	None - Not Illuminated 3 - 6V 4 - 12V 6 - 125V 7 - 250V

Notes:

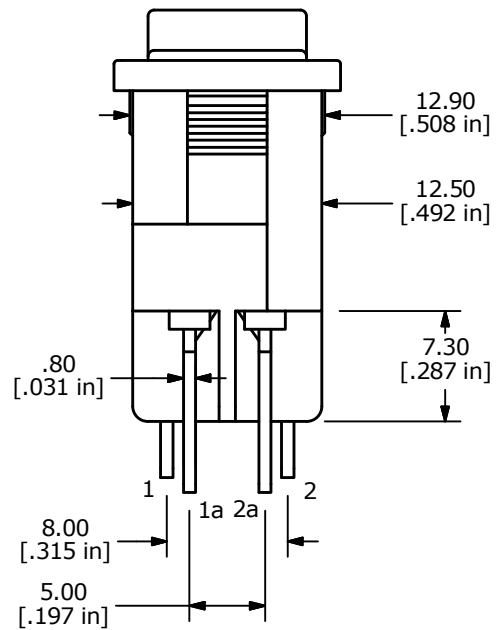
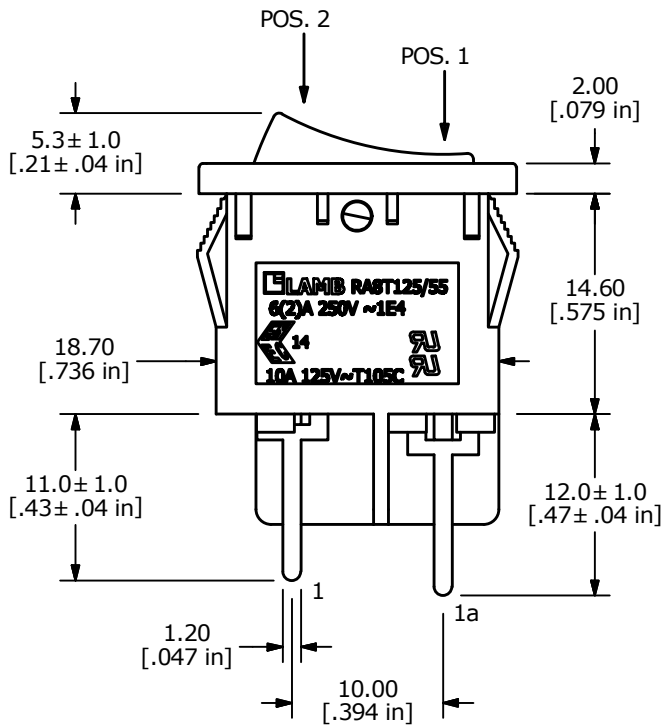
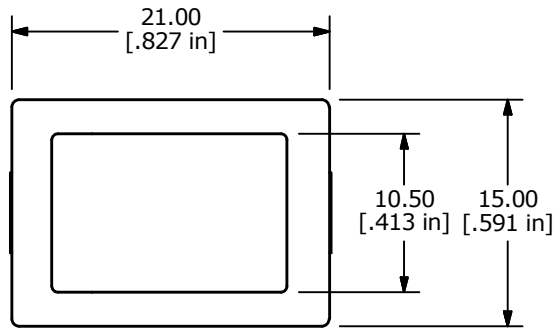
Custom Colors and Markings Available Upon Request

Specifications subject to change without notice 11.16.2021

RA8 SERIES ROCKER SWITCH

BODY DIMENSIONS

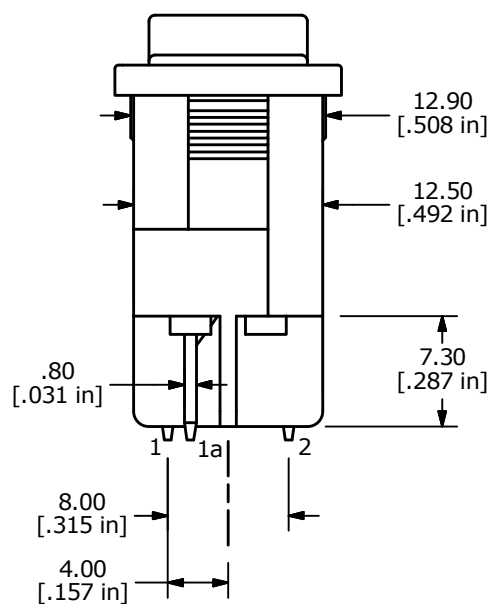
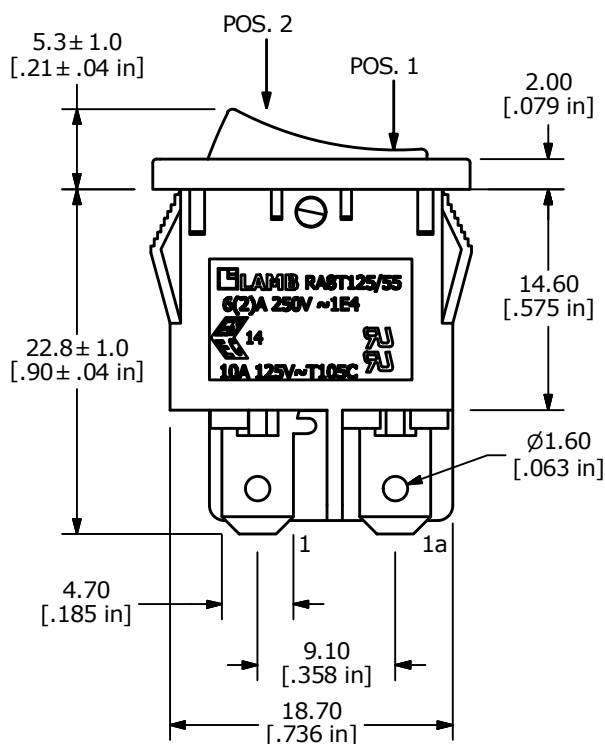
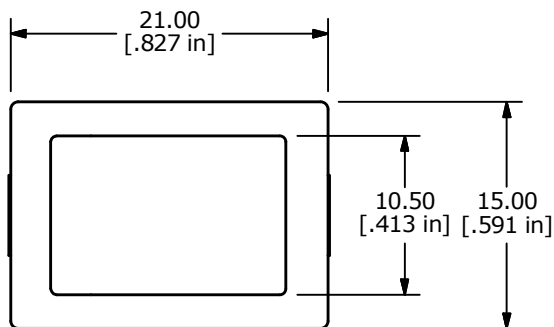
FUNCTION - 2 POLE /
 TERMINAL - 3 (PCB Pins) / LENS STYLE - NONE



RA8 SERIES ROCKER SWITCH

BODY DIMENSIONS

FUNCTION - 1 POLE /
 TERMINAL - 1 (4.8mm TAB) / LENS STYLE - 1 FULL ILLUMINATION

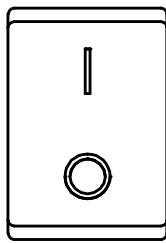


RA8 SERIES ROCKER SWITCH

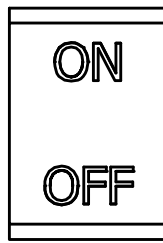
MARKING TYPE



0 - NONE



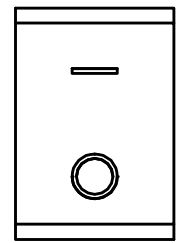
1 - I/O
VERTICAL



3 - ON-OFF
VERTICAL

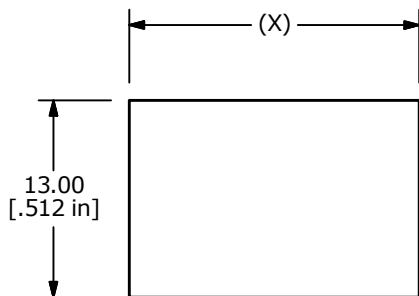


4 - ON-OFF
HORIZONTAL

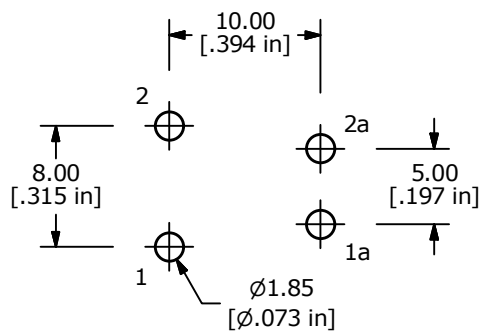


R - I/O
HORIZONTAL

PANEL CUT OUT, PCB LAYOUT, & SCHEMATICS

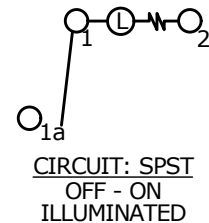
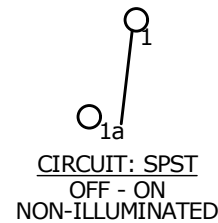


PANEL THICKNESS	X
0.75 - 1.25	19.2
1.25 - 2.00	19.4
2.00 - 3.00	19.6

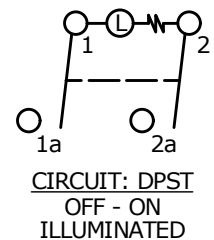
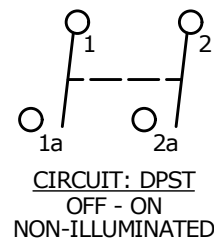


RECOMMENDED PANEL CUTOUT AND PCB LAYOUT

SWITCH FUNCTION	
POS. 1	POS. 2
OFF	ON
OPEN	1-1a, 2



SWITCH FUNCTION	
POS. 1	POS. 2
OFF	ON
OPEN	1-1a, 2-2a



SCHEMATIC OPTIONS