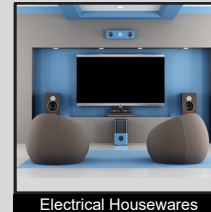
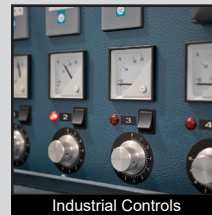


RB2 SERIES ROCKER SWITCH

ANTI-VANDAL SWITCHES
DETECTOR SWITCHES
DIP SWITCHES
KEYLOCK SWITCHES
NAVIGATION SWITCHES
PUSHBUTTON SWITCHES
ROCKER SWITCHES
ROTARY SWITCHES
SLIDE SWITCHES
SNAP ACTION SWITCHES
TACTILE SWITCHES
TOGGLE SWITCHES
CAP OPTIONS



APPLICATIONS / MARKETS



RoHS

SPECIFICATIONS

Electrical Rating:

Option D (2 Position Functions):

- 20A 125VAC T105 [cURus]
- 16A 250VAC T105 [cURus]
- 3/4HP 125VAC T105 [cURus]
- 3/4HP 250VAC T105 [cURus]

Option E (3 Position Functions):

- 16A 125VAC T65 [cURus]
- 16A 250VAC T65 [cURus]

Operating Temperature: -20°C to 65°C

Electrical Life: 10,000 Cycles

Contact Resistance: 35mΩ Max. at 50VAC

Insulation Resistance: 100MΩ Min. at 500VDC

Dielectric Strength: 1,500VAC for 1 min.

Ingress Protection: IP54 with optional silicone cap

FEATURES & BENEFITS

- High Quality and Reliable Switch
- Industry Standard 22mm x 30mm Cutout
- Illumination Options
- Marking Options
- Multiple Terminal and Actuator Options
- Front Panel Mount Applications
- Optional Cap for Dust and Water Protection
- 2 Pole Maintained and Momentary Functions

PART NUMBER CONFIGURATOR

Series	Terminal	Function	Rating	Body Color	Actuator Color	Marking Color	Marking Type	Lens Style	Lens Color	Lamp Voltage
RB2	1 - 4.8mm Tab 4 - 6.3mm Tab	2 - Off-On E - Off-(On) G - On-On H - On-(On) 6 - On-Off-On J - On-Off-(On) K - (On)-Off-(On)	D - 20A 125V E - 16A 125V	1 - Black 2 - White 3 - Almond 4 - Grey 9 - Red	0 - Full Illumination 1 - Black 2 - White 3 - Almond 4 - Grey 5 - Orange 7 - Blue 8 - Green 9 - Red	0 - None 1 - Black 2 - White 8 - Red	0 - None 1 - I/O Vertical 2 - ON-OFF-ON Vertical 3 - ON-OFF Vertical 4 - ON-OFF Horizontal 9 - I/O/II Horizontal R - I/O Horizontal S - I/O/II Vertical	None - Not Illuminated 1 - Full 2 - Round*	None - Not Illuminated 0 - Clear 1 - Red 2 - Amber 3 - Green 4 - Blue 5 - Yellow	None - Not Illuminated 4 - 12V 5 - 24V 6 - 125V 7 - 250V

Notes:
 Custom Colors and Markings Available Upon Request
 () = Denotes Momentary Function
 * = Only Available with the "C" Rating

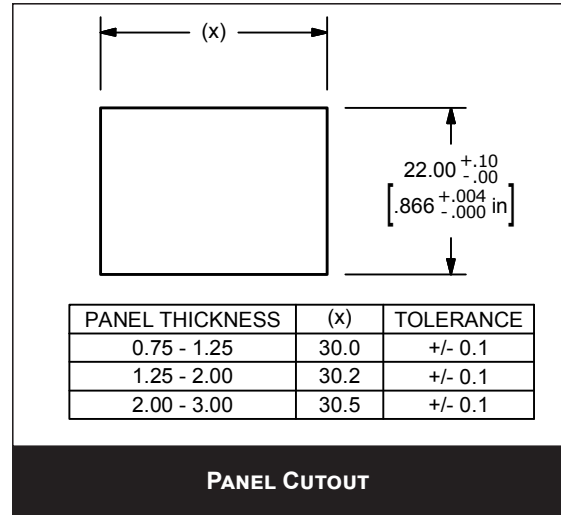
Specifications subject to change without notice 11.16.2021

RB2 SERIES ROCKER SWITCH

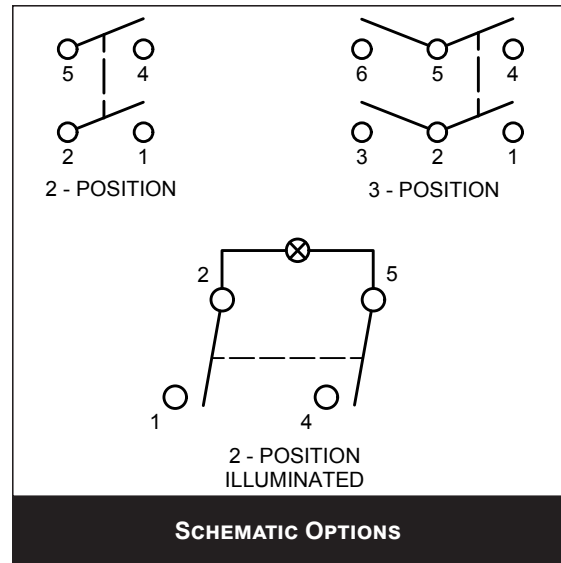
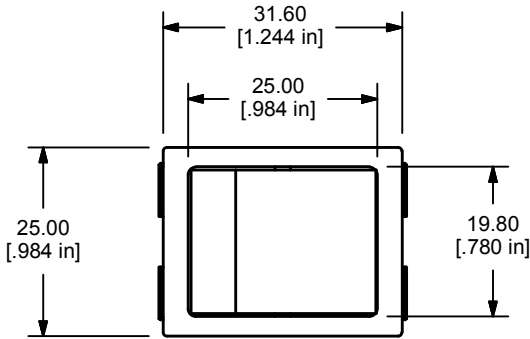
BODY DIMENSIONS

FUNCTION	POS. 1	POS. 2	POS. 3
2	OFF	NONE	ON
E	OFF	NONE	(ON)
G	ON	NONE	ON
H	ON	NONE	(ON)
6	ON	OFF	ON
J	ON	OFF	(ON)
K	(ON)	OFF	(ON)
TERMINAL CLOSURE	2-3, 5-6	OPEN	2-1, 5-4

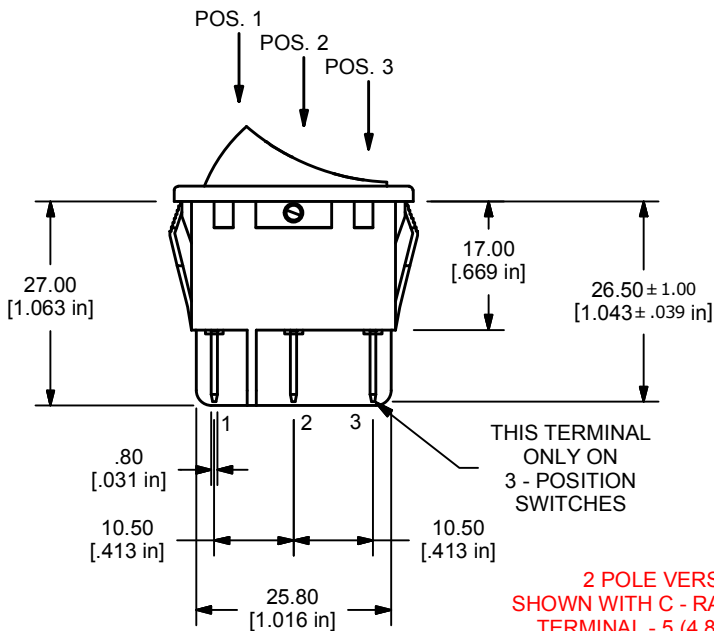
() = MOMENTARY



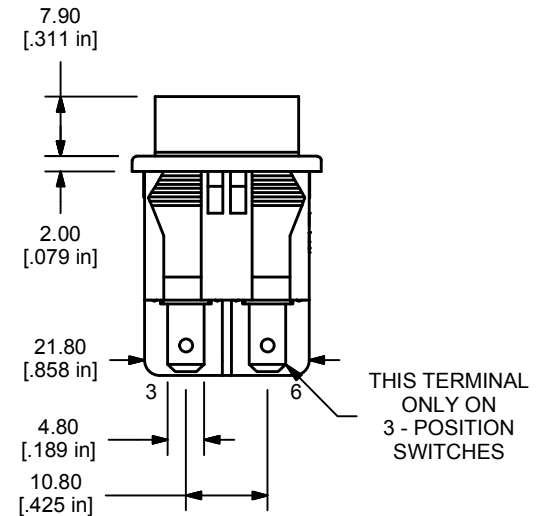
PANEL CUTOUT



SCHEMATIC OPTIONS



2 POLE VERSION
SHOWN WITH C - RATED BODY
TERMINAL - 5 (4.8mm TAB)

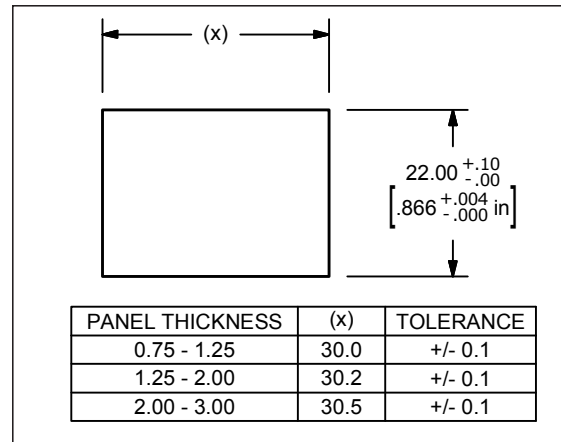


RB2 SERIES ROCKER SWITCH

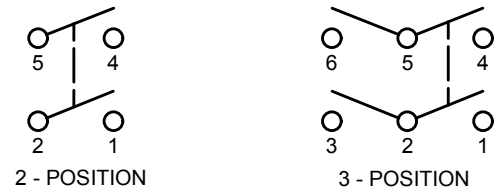
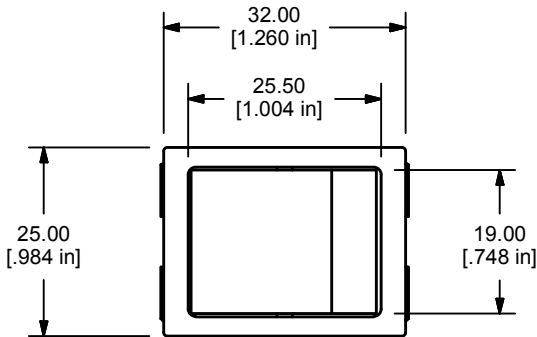
BODY DIMENSIONS

FUNCTION	POS. 3	POS. 2	POS. 1
2	OFF	NONE	ON
E	OFF	NONE	(ON)
G	ON	NONE	ON
H	ON	NONE	(ON)
6	ON	OFF	ON
J	ON	OFF	(ON)
K	(ON)	OFF	(ON)
TERMINAL CLOSURE	2-1, 5-4	OPEN	2-3, 5-6

() = MOMENTARY

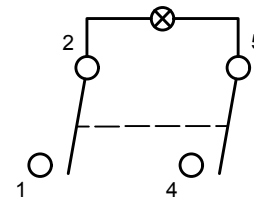


PANEL CUTOUT



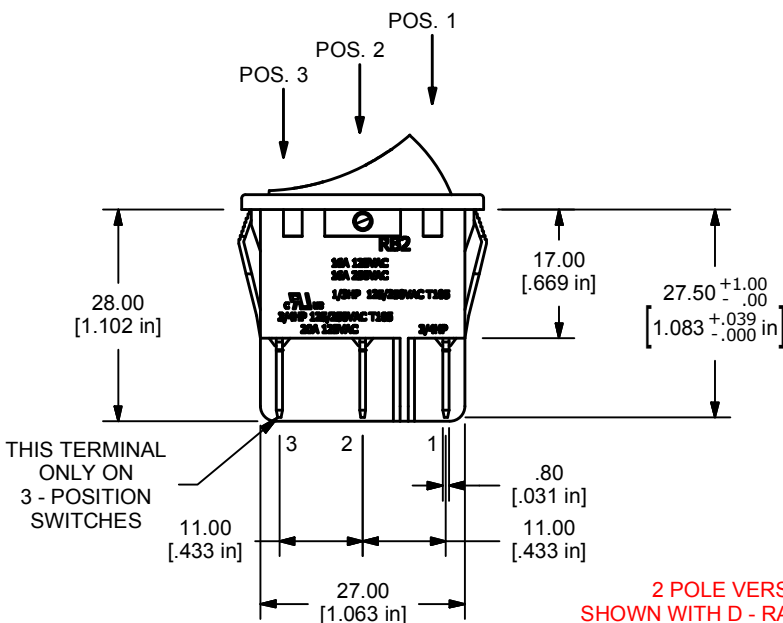
2 - POSITION

3 - POSITION



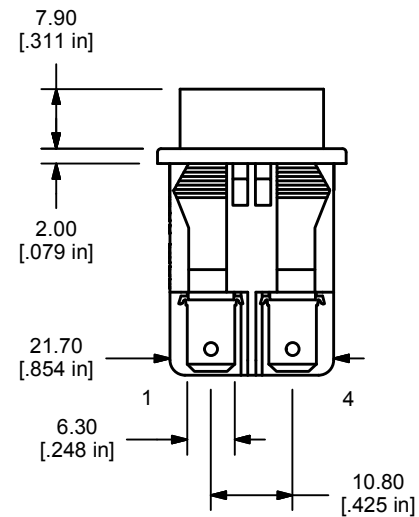
2 - POSITION ILLUMINATED

SCHEMATIC OPTIONS



THIS TERMINAL ONLY ON 3 - POSITION SWITCHES

2 POLE VERSION
SHOWN WITH D - RATED BODY
TERMINAL - 4 (6.3mm TAB)

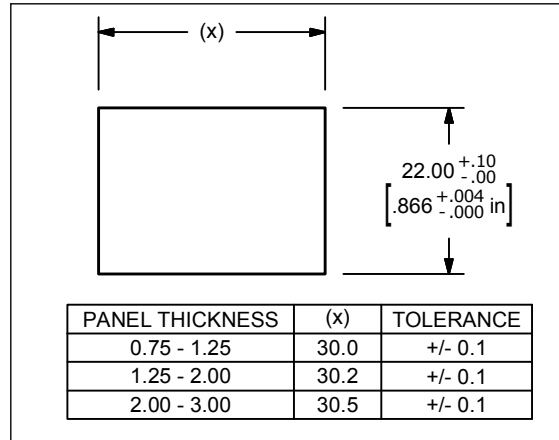
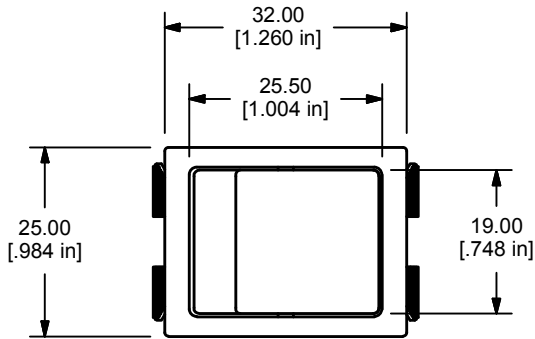


RB2 SERIES ROCKER SWITCH

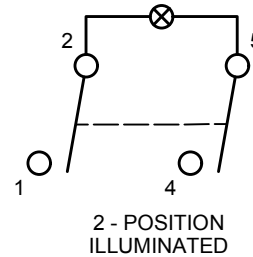
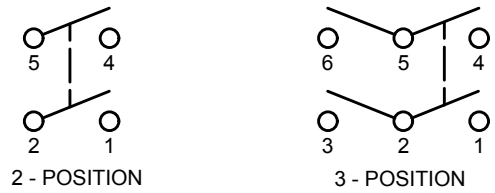
BODY DIMENSIONS

FUNCTION	POS. 3	POS. 2	POS. 1
2	OFF	NONE	ON
E	OFF	NONE	(ON)
G	ON	NONE	ON
H	ON	NONE	(ON)
6	ON	OFF	ON
J	ON	OFF	(ON)
K	(ON)	OFF	(ON)
TERMINAL CLOSURE	2-1, 5-4	OPEN	2-3, 5-6

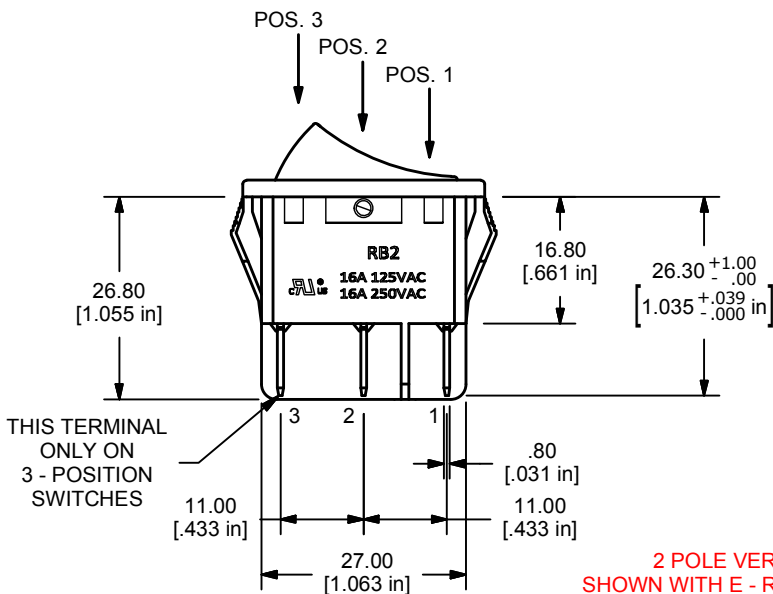
() = MOMENTARY



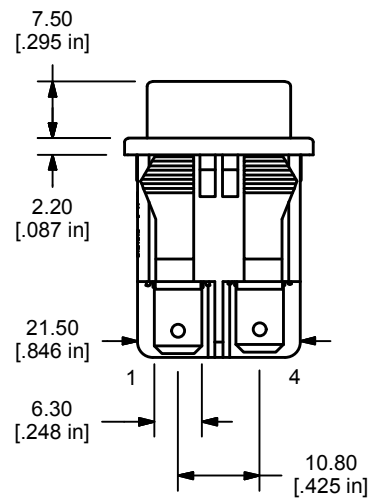
PANEL CUTOUT



SCHEMATIC OPTIONS



2 POLE VERSION
SHOWN WITH E - RATED BODY
TERMINAL - 4 (6.3mm TAB)



RB2 SERIES ROCKER SWITCH

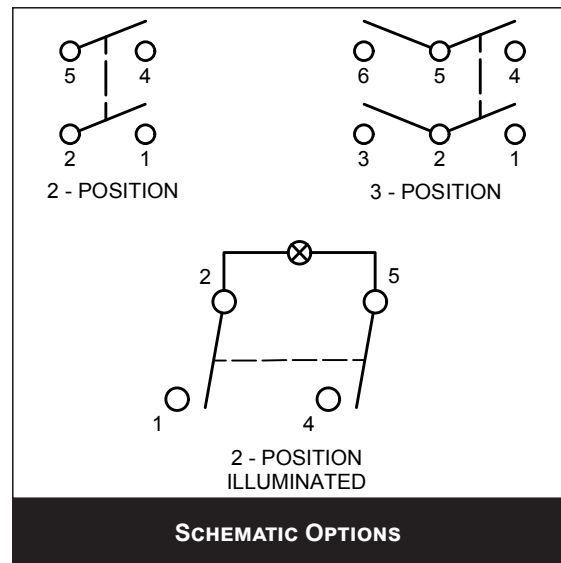
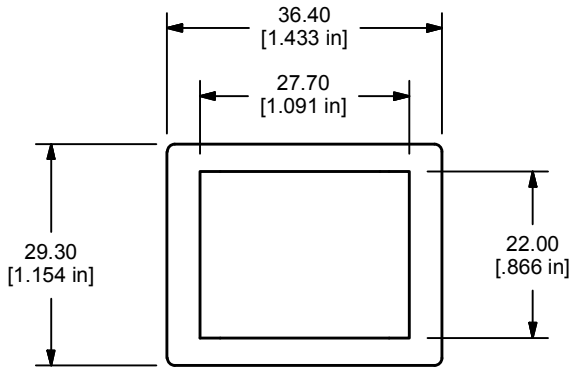
BODY DIMENSIONS

FUNCTION	POS. 3	POS. 2	POS. 1
2	OFF	NONE	ON
E	OFF	NONE	(ON)
G	ON	NONE	ON
H	ON	NONE	(ON)
6	ON	OFF	ON
J	ON	OFF	(ON)
K	(ON)	OFF	(ON)
TERMINAL CLOSURE	2-1, 5-4	OPEN	2-3, 5-6

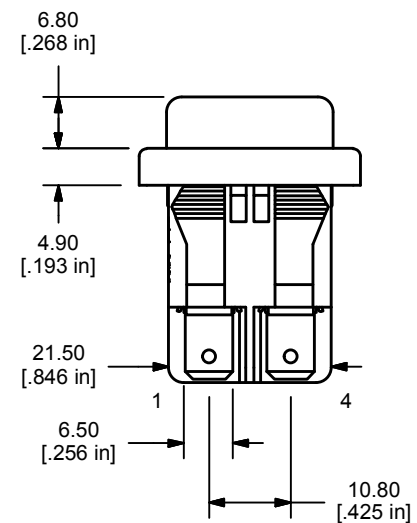
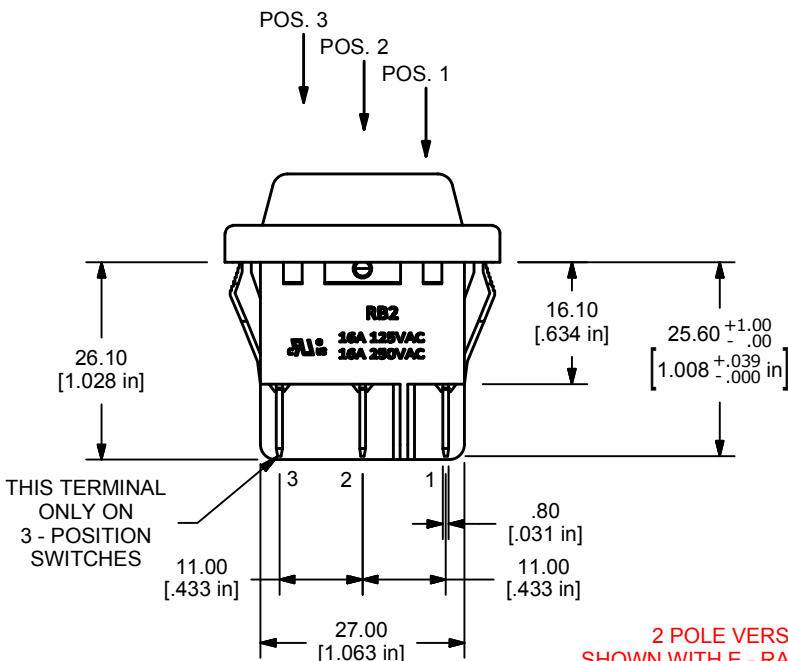
() = MOMENTARY



PANEL CUTOUT



SCHEMATIC OPTIONS

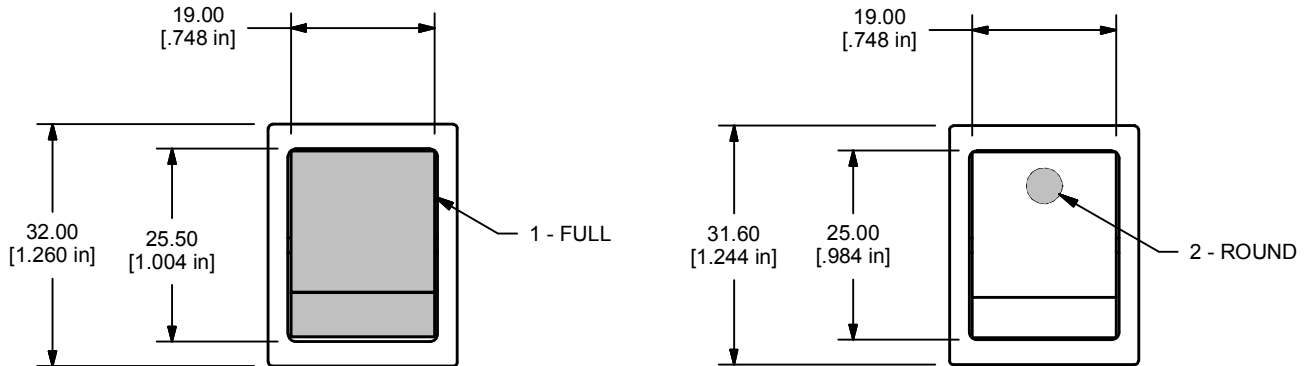


2 POLE VERSION
SHOWN WITH E - RATED BODY
TERMINAL - 4 (6.3mm TAB)
ACC-F02-1 (SILICONE CAP)

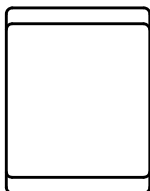
RB2 SERIES ROCKER SWITCH

ILLUMINATION TYPE/ MARKING TYPE

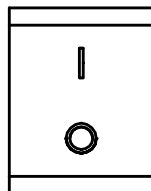
ILLUMINATION TYPE



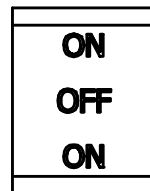
MARKING TYPE



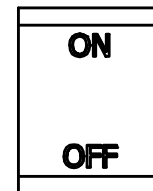
0 - NONE



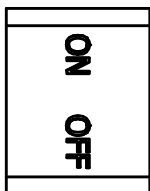
1 - I/O
VERTICAL



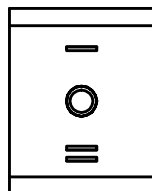
2 - ON-OFF-ON
VERTICAL



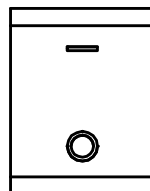
3 - ON-OFF
VERTICAL



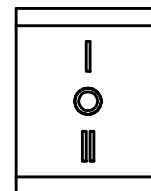
4 - ON-OFF
HORIZONTAL



9 - I/O/II
HORIZONTAL



R - I/O
HORIZONTAL



S - I/O/II
VERTICAL