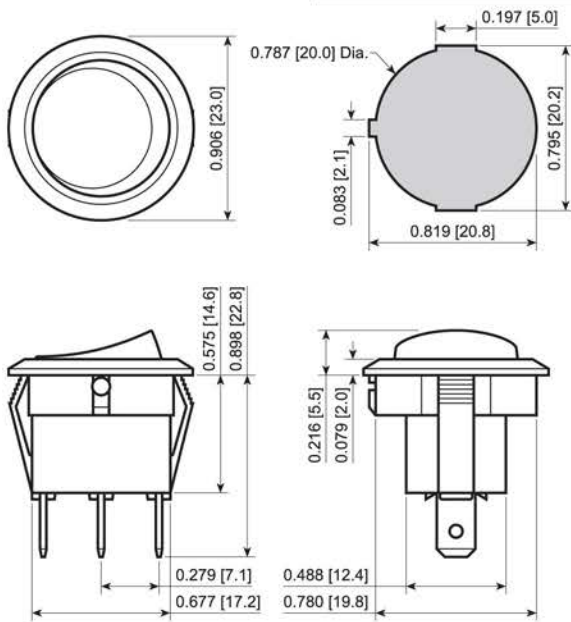


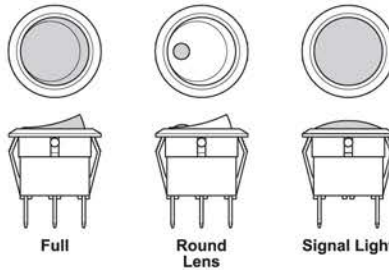
RR1 Series



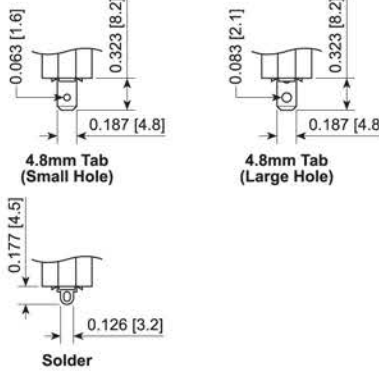
Panel Cutout



Illumination Options



Terminal Options



FEATURES:

- Aesthetically Designed
- High Ratings with UL and VDE Approvals
- Single Pole With Many Functions
- Full and Round Lens Illumination Options

SPECIFICATIONS:

RATING: RATING OPTION C:

- 16A 125VAC [UL, cUL]
- 10A 250VAC [UL, cUL]
- 1/3HP 125/250VAC [UL, cUL]
- 10(4)A 250V- 1E4 T125/55 [VDE]
- 10(2)A 250V- 5E4 T85/55 [VDE]

RATING OPTION 3:

- 10A 125VAC [UL, cUL]
- 6(2)A 250V- 1E4 T125/55 [VDE]

TEMPERATURE: -20°C to 105°C [UL, cUL]
-20°C to 125°C [VDE]

ELECTRICAL LIFE: 10,000 Cycles

CONTACT RESISTANCE: 35mΩ Max. at 50VAC

INSULATION RESISTANCE: 100MΩ Min. at 500VAC

DIELECTRIC STRENGTH: 1,500VAC for 1 Minute

MATERIALS:

Body: Polyamide 6/6, UL94 V-2

ACTUATOR: Polyamide 6/6, UL94 V-2

Polycarbonate, UL94 V-2

CONTACTS: Silver Alloy

TERMINALS: Silver Plated Copper



RR11131100-236



RR11001000-144

SPECIFICATIONS SUBJECT TO CHANGE WITHOUT NOTICE

Series	Terminal	Function	Rating	Body Color	Actuator Color	Marking Color	Marking Type	Lens Style	Lens Color	Lamp Voltage
RR1 - Standard Body	1 - 4.8mm Tab (Small Hole) 5 - Solder 8 - 4.8mm Tab (Large Hole)	0 - Signal Light (*) 1 - Off-On (*) 3 - On-On 4 - Off-(On) 5 - On-Off-On A - On-(Off) B - On-(On) C - On-Off-(On)	0 - Signal Light 3 - 10A 125VAC C - 16A 125VAC	1 - Black 2 - White 3 - Almond 4 - Grey 9 - Red	0 - Full Illum. 1 - Black 2 - White 3 - Almond 4 - Grey 5 - Orange 7 - Blue 8 - Green 9 - Red	0 - None 1 - Black 2 - White 8 - Red	0 - None 1 - I/O Vert. 2 - ON/OFF/ON Vert. 3 - ON/OFF Vert. 4 - ON/OFF Horiz. 9 - I/O/Horiz. S - I/O/H Vert. R - I/O Horiz.	1 - Full 2 - Round	0 - Clear 1 - Red 2 - Amber 3 - Green 4 - Blue	4 - 12V 6 - 125V 7 - 250V

Note:
* = Option Available with Illumination

Custom Colors and Markings Available Upon Request For Illuminated Switches Only

EXAMPLE PART NUMBERS:

- RR11131100 1P Off-On
Black Body/Actuator, No Marking
- RR11131121 1P Off-On
Black Body/Actuator, I/O Vert.
- RR11132200 1P Off-On
White Body/Actuator, No Marking
- RR111C1000-116 1P Off-On
Black Body, Red Illum. Actuator, No Marking
- RR111C1100 1P Off-On
Black Body/Actuator, No Marking
- RR111C1121 1P Off-On
Black Body/Actuator, I/O Vert.
- RR111C1123 1P Off-On
Black Body/Actuator, ON/OFF Vert.
- RR111C1921 1P Off-On
Black Body, Red Actuator, I/O Vert.
- RR111C2211 1P Off-On
White Body/Actuator, I/O Vert.