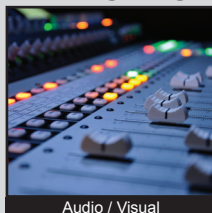


TL9100 SERIES TACT SWITCH

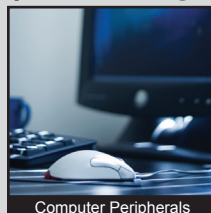
ANTI-VANDAL SWITCHES
 DETECTOR SWITCHES
 DIP SWITCHES
 KEYLOCK SWITCHES
 NAVIGATION SWITCHES
 PUSHBUTTON SWITCHES
 ROCKER SWITCHES
 ROTARY SWITCHES
 SLIDE SWITCHES
 SNAP ACTION SWITCHES
TACTILE SWITCHES
 TOGGLE SWITCHES
 CAP OPTIONS



APPLICATIONS / MARKETS



Audio / Visual



Computer Peripherals



Consumer Electronics



Instrumentation



Telecommunication



Handheld Devices

RoHS

SPECIFICATIONS

Contact Rating: 50mA @ 12VDC
Electrical Life: 100,000 at 200gf; 30,000 at 350gf
Contact Resistance: 100mΩ Max
Insulation Resistance: 100MΩ @ 500VDC
Dielectric Strength: 300VAC for 1 Minute
Operating Temperature: -40°C to 85°C
Storage Temperature: -40°C to 85°C
Travel: 1.30mm
Contact Arrangement: SPST
Actuation Force: 200gf; 350gf

FEATURES & BENEFITS

- Single pole single throw
- Multiple actuation forces
- “Soft Touch” tactile switch
- Surface mount device

PART NUMBER CONFIGURATOR

Series



TL9100

Actuator Options



A - 5.0mm

Actuator Force



F200 - 200 gf
 F350 - 350 gf

Contact Material

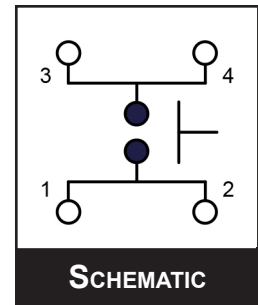
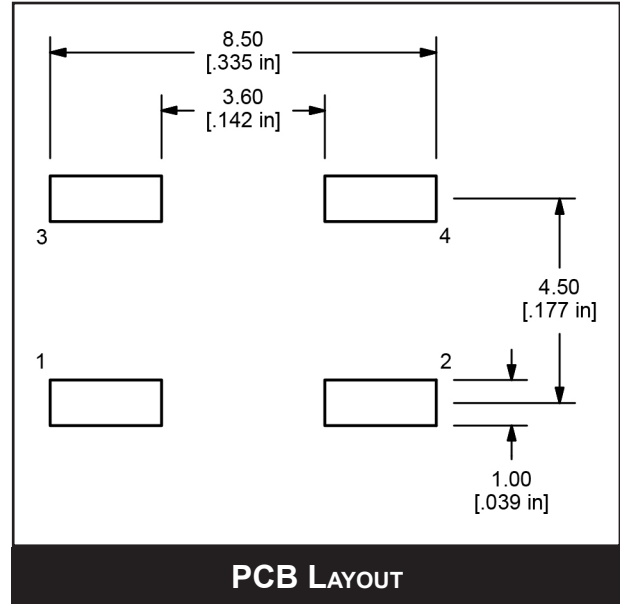
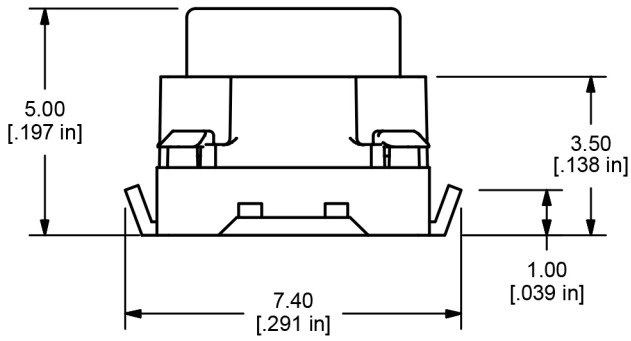
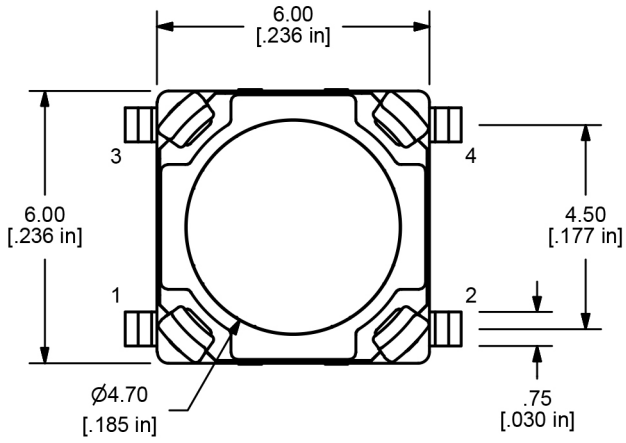


Q -Silver

Specifications subject to change without notice

TL9100 SERIES TACT SWITCH

BODY DIMENSIONS



- ANTI-VANDAL SWITCHES
- DETECTOR SWITCHES
- DIP SWITCHES
- KEYLOCK SWITCHES
- NAVIGATION SWITCHES
- PUSHBUTTON SWITCHES
- ROCKER SWITCHES
- ROTARY SWITCHES
- SLIDE SWITCHES
- SNAP ACTION SWITCHES
- TACTILE SWITCHES**
- TOGGLE SWITCHES
- CAP OPTIONS