

ST1 SERIES TOGGLE SWITCH

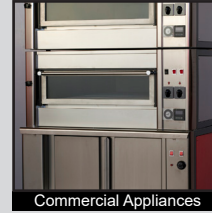
- ANTI-VANDAL SWITCHES
- DETECTOR SWITCHES
- DIP SWITCHES
- KEYLOCK SWITCHES
- NAVIGATION SWITCHES
- PUSHBUTTON SWITCHES
- ROCKER SWITCHES
- ROTARY SWITCHES
- SLIDE SWITCHES
- SNAP ACTION SWITCHES
- TACTILE SWITCHES
- TOGGLE SWITCHES**
- CAP OPTIONS



APPLICATIONS / MARKETS



Floor Care Appliances



Commercial Appliances



Industrial Controls



Medical / Dental



HVAC



Vending Machines

RoHS

SPECIFICATIONS

Rating: Maintained Switches: 20A 125VAC [cULus]
 15A 277VAC [cULus]
 2.0HP 125-277VAC [cULus]
 Momentary Switches: 20A 125VAC [cULus]
 15A 277VAC [cULus]
 1.5HP 125-277VAC [cULus]

Electrical Life: 6,000 cycles
Contact Resistance: 50mΩ Max.
Insulation Resistance: 2MΩ Min. at 500VDC for 1 Minute
Dielectric Strength: 1,000VAC for 1 Minute
Operating Temperature: 0°C to 85°C
Storage Temperature: -20°C to 85°C
Mounting Nut Torque: 0.6Nm~1.0Nm

FEATURES & BENEFITS

- Heavy duty rating with UL approvals
- Many functions available
- Tab, screw, and solder terminal options
- Soldered wire leads (500mm long) optional

PART NUMBER CONFIGURATOR

Series



ST1 - 1 Pole

Terminal



1 - 4.8mm Tabs
 2 - Solder
 4 - 6.3mm Tabs
 6 - Screw
 W - Wire Leads
 500mm long

Function



1 - 1 Pole Off - On
 3 - 1 Pole On - On
 4 - 1 Pole Off - (On)
 Middle - End
 5 - 1 Pole
 On - Off - On
 C - 1 Pole
 On - Off - (On)
 D - 1 Pole
 (On) - Off - (On)

Rating



D - 20A 125VAC

Actuator Type



0 - Standard Bat
 1 - Short Bat

Bushing Type



0 - M12 x 1.0
 2 - 15/32" - 32UNS

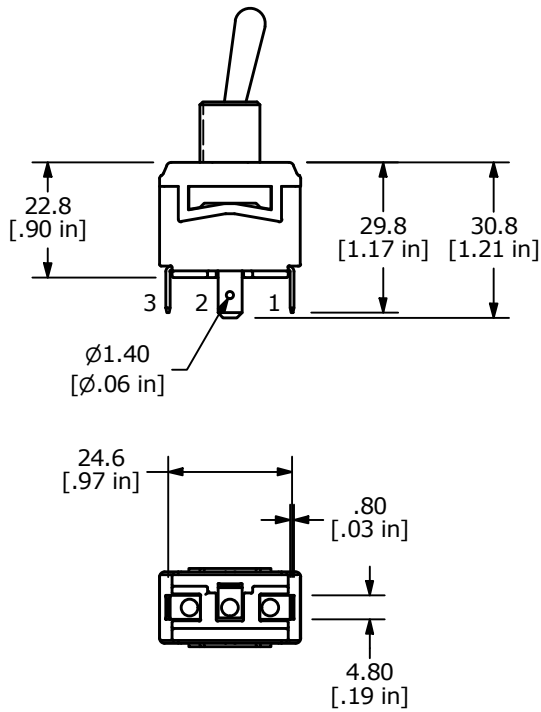
NOTES:

() = Denotes function is momentary

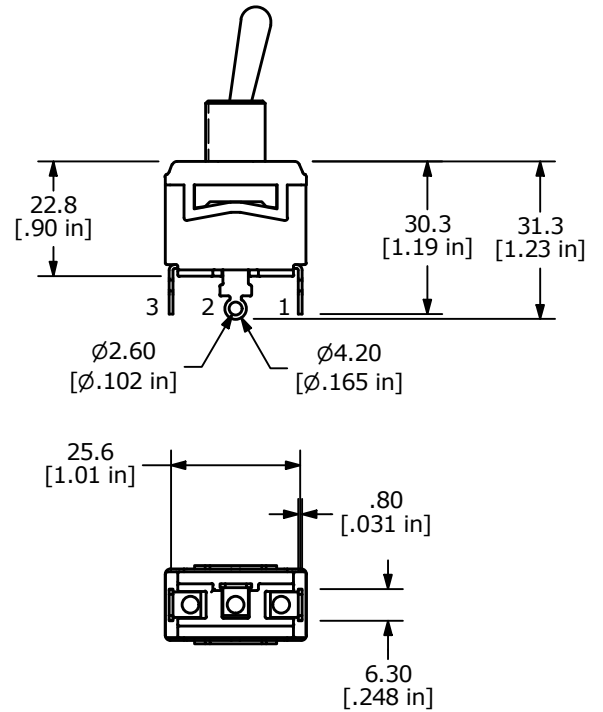
Specifications subject to change without notice 2.16.2022

ST1 SERIES TOGGLE SWITCH

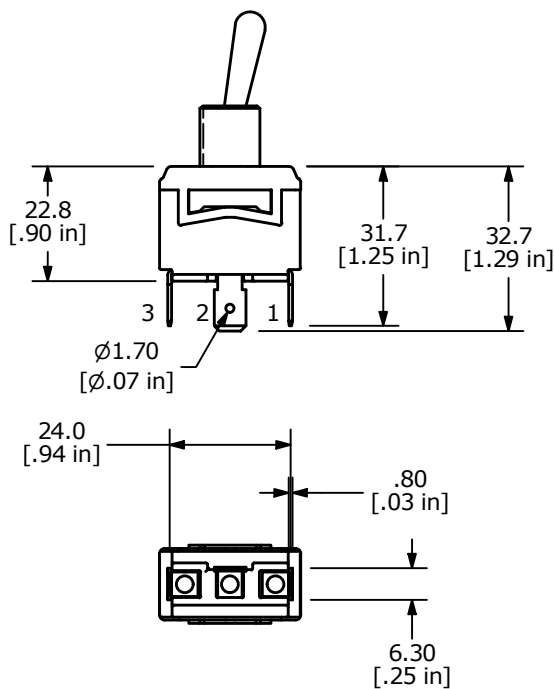
TERMINAL OPTIONS



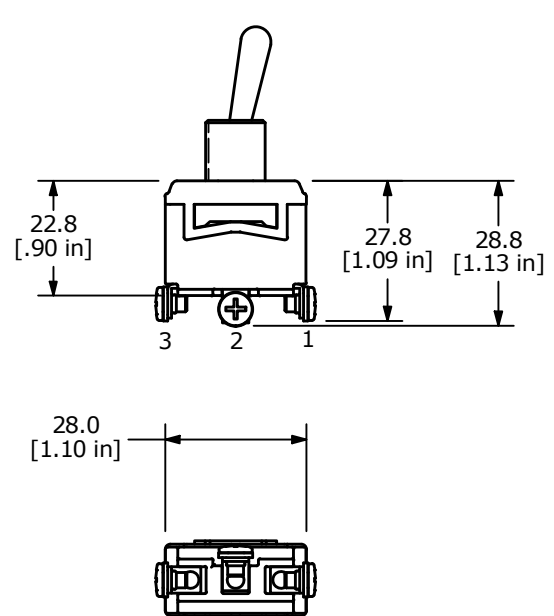
1 = 4.8mm TABS



2 = SOLDER



4 = 6.3mm TABS



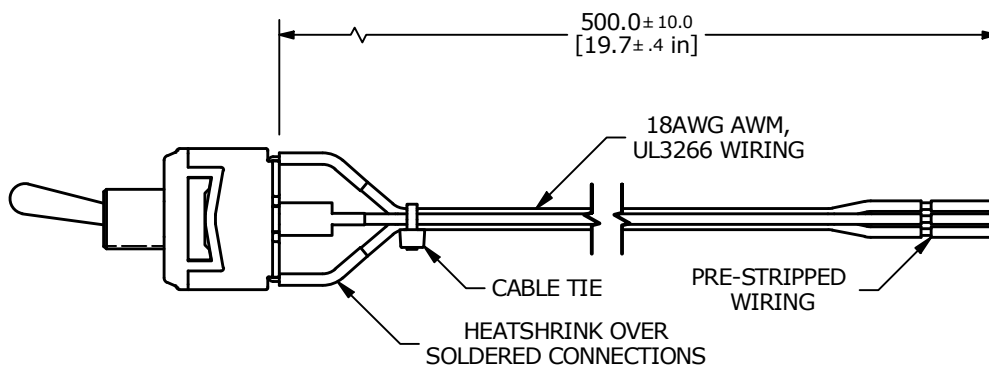
6 = SCREW

ST1 SERIES TOGGLE SWITCH

TERMINAL OPTIONS (CONTINUED)

SWITCH	WIRE	LENGTH
SW1-1	WIRE, 18AWG AWM UL3266, GREEN	500.0 [19.7 in]
SW1-2	WIRE, 18AWG AWM UL3266, PINK	500.0 [19.7 in]
SW1-3	WIRE, 18AWG AWM UL3266, YELLOW	500.0 [19.7 in]

** WIRE LEADS PROVIDED ARE DEPENDANT ON THE FUNCTION SELECTED **

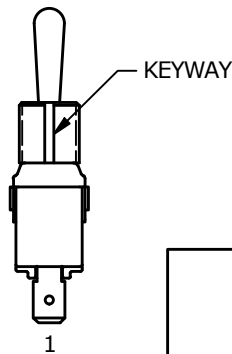
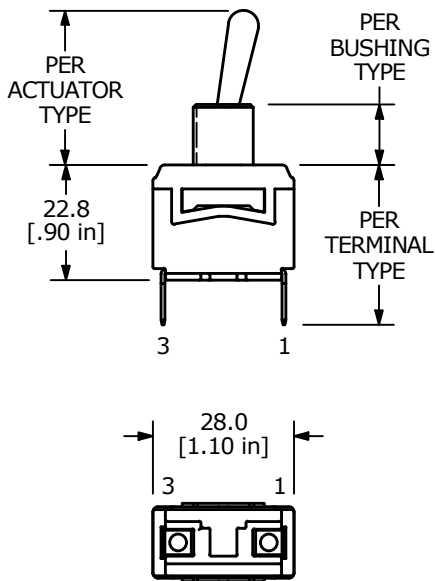


W = WIRED LEADS 500mm

ST1 SERIES TOGGLE SWITCH

FUNCTION OPTIONS

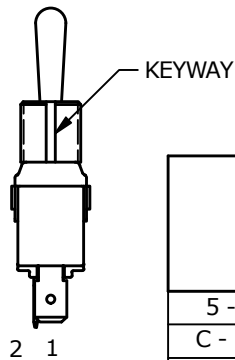
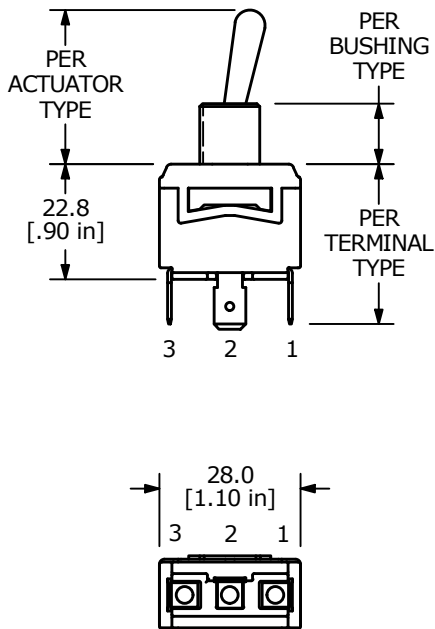
FUNCTIONS: 1, 3, & 4



FUNCTION	POS. 1 	POS. 2 	POS. 3
1 - OFF - ON	OFF	N/A	ON
3 - ON - ON	ON	NA	ON
4-OFF-(ON)MIDDLE-END	(ON)	OFF	N/A
TERMINAL CLOSURES	1-3	N/A	1-3

() = DENOTES MOMENTARY

FUNCTIONS: 5, C, & D

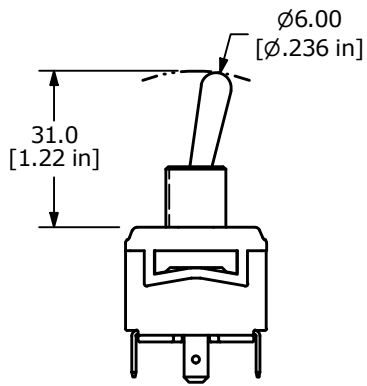


FUNCTION	POS. 1 	POS. 2 	POS. 3
5 - ON - OFF - ON	ON	OFF	ON
C - ON - OFF - (ON)	ON	OFF	(ON)
D - (ON) - OFF - (ON)	(ON)	OFF	(ON)
TERMINAL CLOSURES	2-3	N/A	1-2

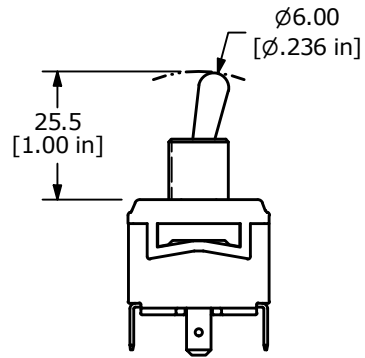
() = DENOTES MOMENTARY

ST1 SERIES TOGGLE SWITCH

ACTUATOR OPTIONS

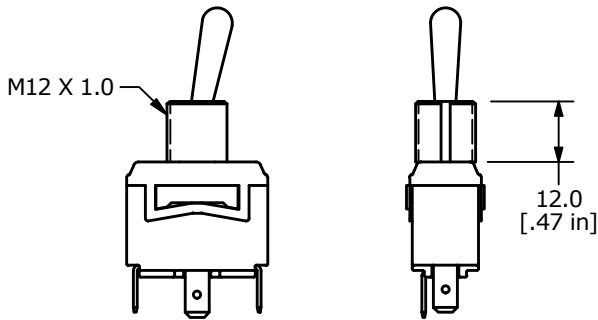


0 = STANDARD BAT

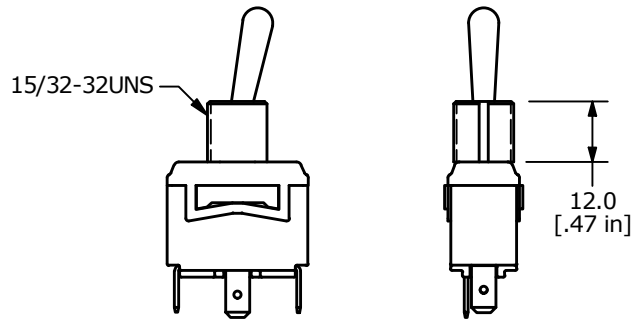


1 = SHORT BAT

BUSHING OPTIONS

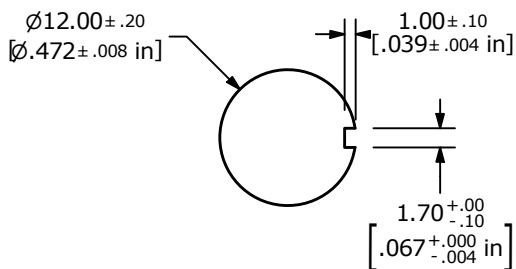


0 = M12 X 1.0

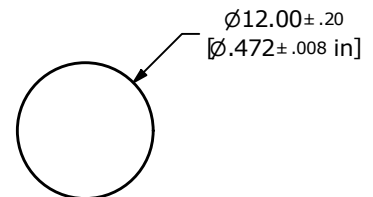


2 = 15/32"-32UNS

PANEL CUTOUT OPTIONS



RECOMMENDED PANEL CUTOUT



ALTERNATE PANEL CUTOUT