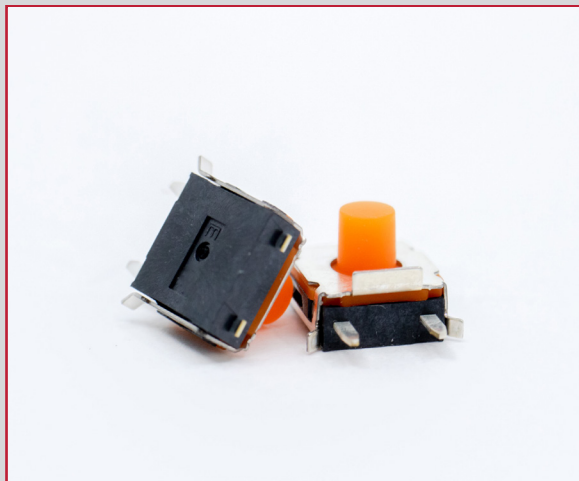
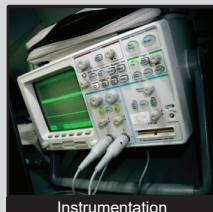
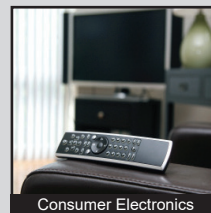
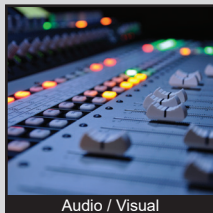


TL6155 SERIES TACT SWITCH

ANTI-VANDAL SWITCHES
 DETECTOR SWITCHES
 DIP SWITCHES
 KEYLOCK SWITCHES
 NAVIGATION SWITCHES
 PUSHBUTTON SWITCHES
 ROCKER SWITCHES
 ROTARY SWITCHES
 SLIDE SWITCHES
 SNAP ACTION SWITCHES
TACTILE SWITCHES
 TOGGLE SWITCHES
 CAP OPTIONS



APPLICATIONS / MARKETS



RoHS

SPECIFICATIONS

Contact Rating: 50mA, 32VDC
Electrical Life: 300,000 Cycles
Contact Resistance: 100mΩ Max. (Initial)
Insulation Resistance: 10MΩ Min. at 100VDC
Dielectric Strength: 250VAC for 1 Minute
Operating Temperature: -40°C to 85°C
Operating Force: 350gf ± 100gf (300,000 cycles)
Travel: 0.5mm
Dust/Moisture Protection: IP67
Function: SPST, Off-(On)

FEATURES & BENEFITS

- Up to 300,000 cycle life expectancy
- Tape and Reel packaging
- IP67 ratings
- Right angle surface mount design

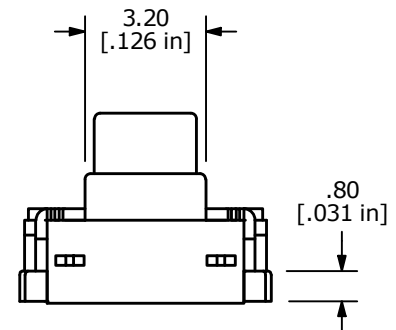
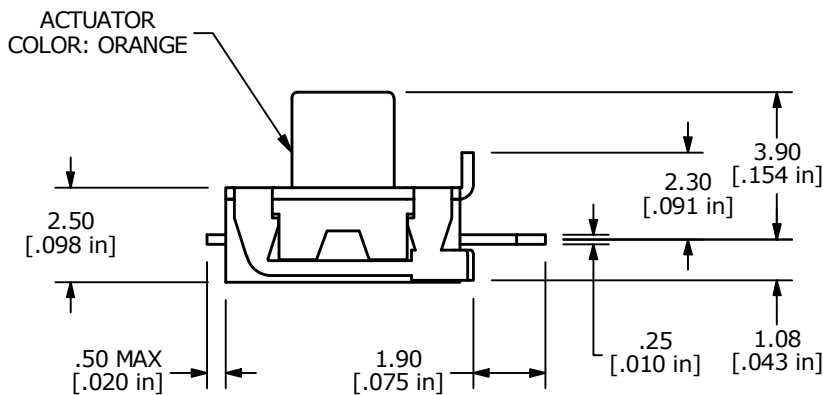
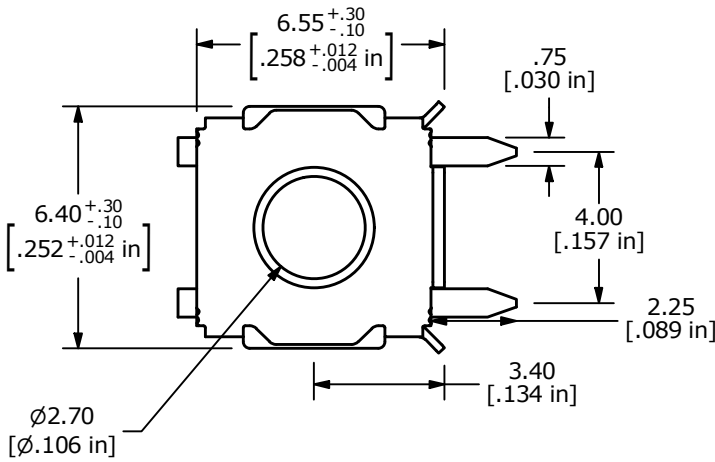
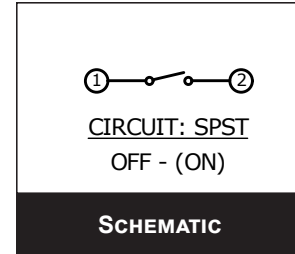
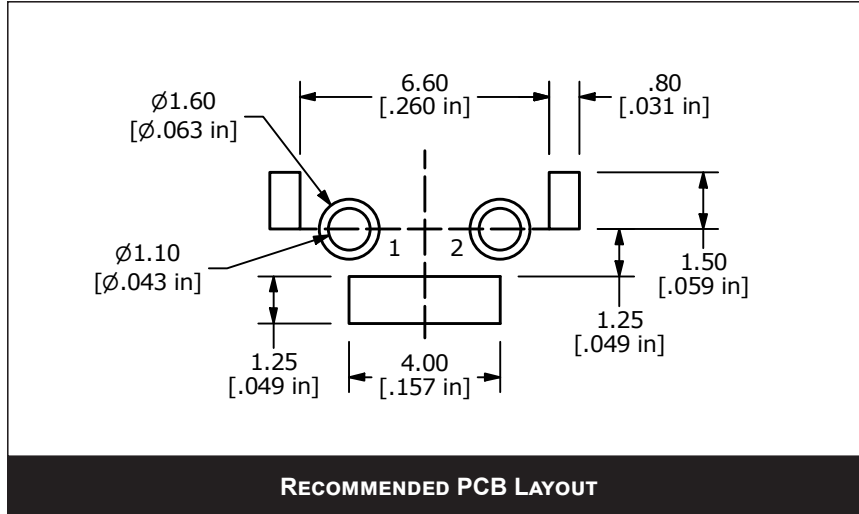
PART NUMBER CONFIGURATOR

Series	Circuit	Actuator	Force	Plating
<input type="text" value="TL"/>	<input type="text" value="6155"/>	<input type="text" value="A - 3.90"/>	<input type="text" value="F350 - 350 gf - Orange"/>	<input type="text" value="Q - Silver"/>

Specifications subject to change without notice 2.10.2021

TL6155 SERIES TACT SWITCH

BODY DIMENSIONS



TL6155 SERIES TACT SWITCH

BODY DIMENSIONS TAPE AND REEL

