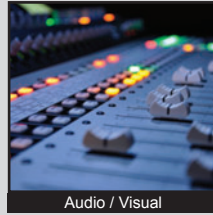


800C SERIES PUSHBUTTON SWITCH

ANTI-VANDAL SWITCHES
 DETECTOR SWITCHES
 DIP SWITCHES
 KEYLOCK SWITCHES
 NAVIGATION SWITCHES
PUSHBUTTON SWITCHES
 ROCKER SWITCHES
 ROTARY SWITCHES
 SLIDE SWITCHES
 SNAP ACTION SWITCHES
 TACTILE SWITCHES
 TOGGLE SWITCHES
 CAP OPTIONS



APPLICATIONS / MARKETS



Audio / Visual



Consumer Electronics



Vending Machines



Kiosks



Instrumentation



Medical Equipment

RoHS

SPECIFICATIONS

Electrical Rating:
 Silver: 3A @ 120VAC or 28 VDC, 1A @250VAC
 Gold: 0.4VA @ 20V Max (AC or DC)
Electrical Life: 6,000 Cycles
Contact Resistance:
 Silver: 50mΩ Max initial
 Gold: 20mΩ Max initial
Insulation Resistance: 1,000 MΩ Min. @1000VDC
Dielectric Strength: 1000VAC for 1 minute
Operating/Storage Temperature: -30°C to 85°C
Travel: Electrical Make: 1.34mm / Full travel: 1.88mm
Circuit Function: SPDT
Actuation Force: 350 gf

FEATURES & BENEFITS

- Miniature in size
- Multiple termination options
- Alternating action pushbutton

PART NUMBER CONFIGURATOR

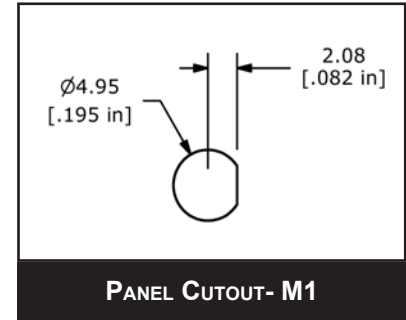
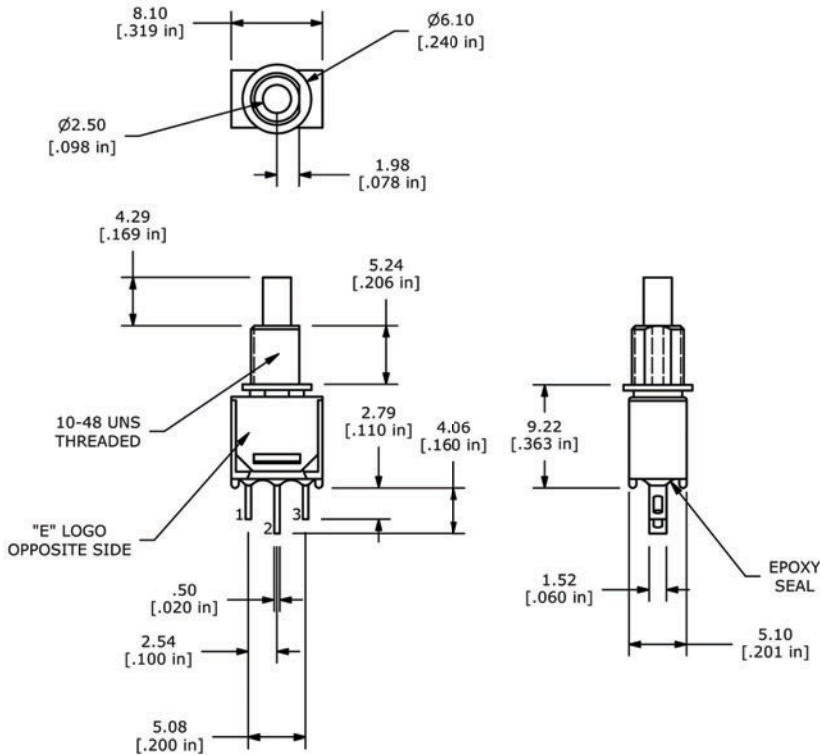
Series	Circuit	Bushing	Termination	Contact Material	Seal	Hardware
<input type="text" value="8"/> <input type="text" value="0"/> <input type="text" value="0"/> <input type="text" value="C"/>	<input type="text" value="S"/> <input type="text" value="P"/> <input type="text" value="1"/>	<input type="text" value="B"/> <input type="text" value="5"/>	<input type="text" value="M"/> <input type="text" value="1"/>	<input type="text" value="Q"/>	<input type="text" value="E"/>	<input type="text" value="H"/>
800C	SP1 - ON-ON	B5 - Threaded B6 - Non-Threaded	M1 M2 M6 M7	Q - Silver R - Gold	E - Epoxy	H - Hardware

Specifications subject to change without notice

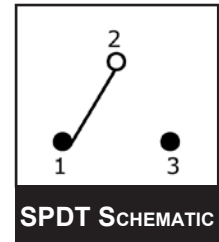
800C SERIES PUSHBUTTON SWITCH

SPDT DIMENSIONS

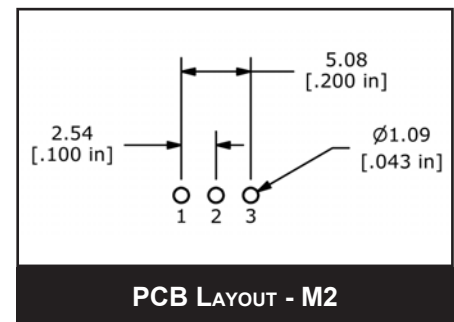
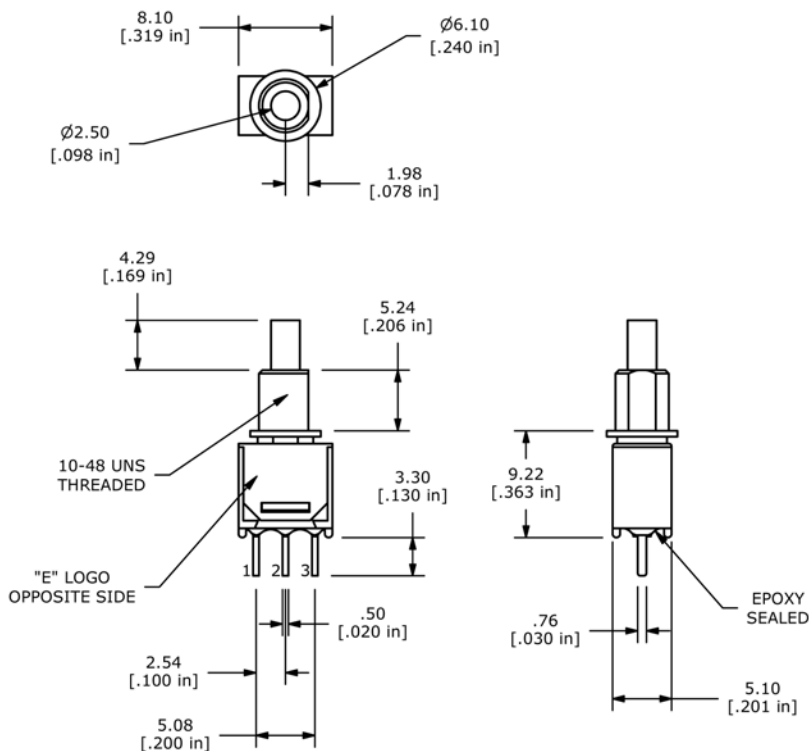
M1 Termination



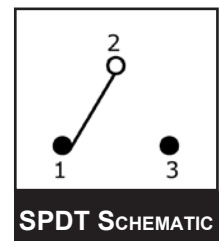
SWITCH FUNCTION	
POS. 1	POS. 2
ON	ON
2-1	2-3



M2 Termination



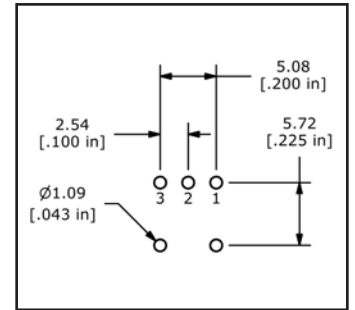
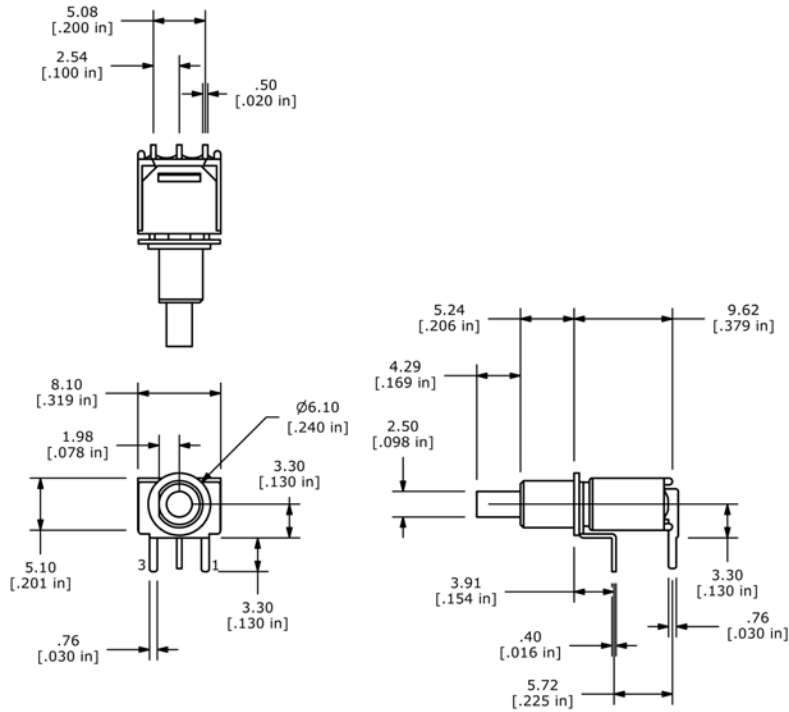
SWITCH FUNCTION	
POS. 1	POS. 2
ON	ON
2-1	2-3



800C SERIES PUSHBUTTON SWITCH

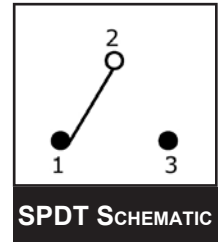
SPDT DIMENSIONS

M6 Termination



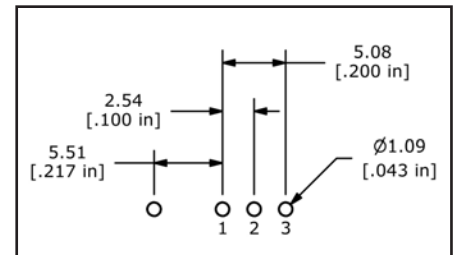
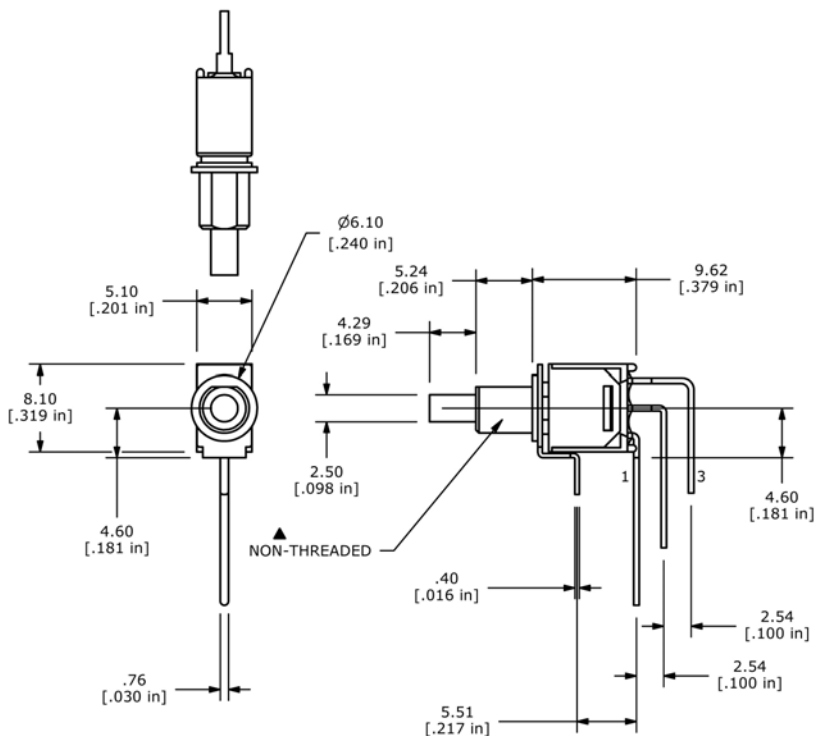
PCB LAYOUT - M6

SWITCH FUNCTION	
POS. 1	POS. 2
ON	ON
2-1	2-3



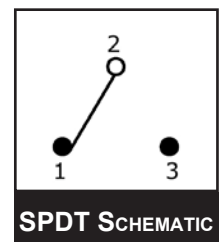
SPDT SCHEMATIC

M7 Termination



PCB LAYOUT - M7

SWITCH FUNCTION	
POS. 1	POS. 2
ON	ON
2-1	2-3



SPDT SCHEMATIC