

RP8200 SERIES PUSHBUTTON SWITCH

ANTI-VANDAL SWITCHES
DETECTOR SWITCHES
DIP SWITCHES
KEYLOCK SWITCHES
NAVIGATION SWITCHES
PUSHBUTTON SWITCHES
ROCKER SWITCHES
ROTARY SWITCHES
SLIDE SWITCHES
SNAP ACTION SWITCHES
TACTILE SWITCHES
TOGGLE SWITCHES
CAP OPTIONS



APPLICATIONS / MARKETS



Audio / Visual



Electrical Housewares



Floor Care Appliances



White Goods



Instrumentation



Medical Equipment

RoHS

SPECIFICATIONS

Electrical Rating: 100mA @ 24VDC
Life Expectancy: 200,000 Cycles
Contact Resistance: 100mΩ Max.
Insulation Resistance: 1,000MΩ Min. @ 500VDC
Dielectric Strength: 1,000VAC for 1 minute
Operating Temperature: -30°C to 85°C
Travel: 2.5mm
Contact Arrangement: SPST, Off-On, Latching
Actuation Force: 350 gf
Panel Thickness: 1.5mm - 4.0mm
Ingress Protection: IP67

FEATURES & BENEFITS

- Threaded mount
- 200,000 life expectancy
- LED illumination options
- Sealed to IP67 ratings

PART NUMBER CONFIGURATOR

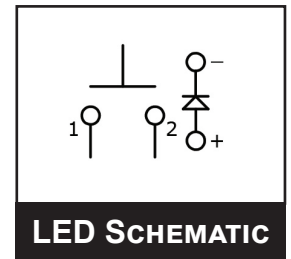
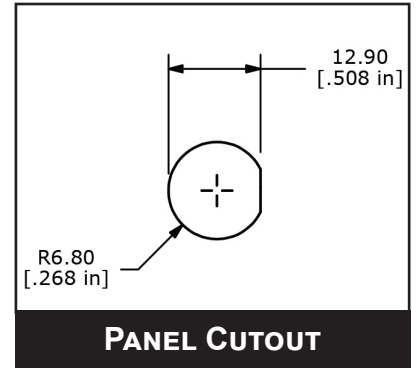
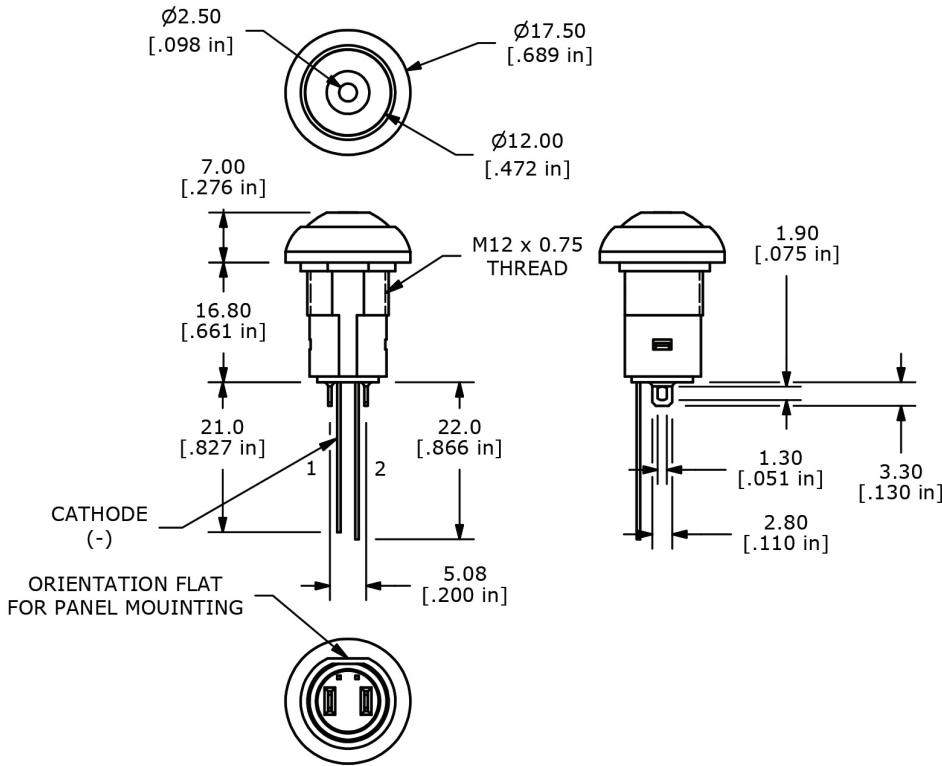
Series	Bushing	Termination	Contact Material	Seal	Housing Color	Cap Color	LED Color
<input type="checkbox"/> <input type="checkbox"/> <input type="checkbox"/> <input type="checkbox"/> <input type="checkbox"/> <input type="checkbox"/> <input type="checkbox"/> <input type="checkbox"/> <input type="checkbox"/> <input type="checkbox"/> <input type="checkbox"/> <input type="checkbox"/> <input type="checkbox"/> <input type="checkbox"/> <input type="checkbox"/> <input type="checkbox"/> <input type="checkbox"/> <input type="checkbox"/> <input type="checkbox"/> <input type="checkbox"/> <input type="checkbox"/>	<input type="checkbox"/> <input type="checkbox"/>	<input type="checkbox"/> <input type="checkbox"/>	<input type="checkbox"/>	<input type="checkbox"/>	<input type="checkbox"/> <input type="checkbox"/> <input type="checkbox"/> <input type="checkbox"/>	<input type="checkbox"/> <input type="checkbox"/> <input type="checkbox"/> <input type="checkbox"/>	<input type="checkbox"/> <input type="checkbox"/> <input type="checkbox"/> <input type="checkbox"/>
RP8200 RP8201*	B2 - Threaded (12 x 0.75)	M1 - Standard	C - Gold Over Silver	E - Epoxy Sealed	BLK - Black	WHT - White BLK - Black RED - Red RED - Red ORG - Orange YEL - Yellow GRN - Green BLU - Blue	WHT - White LED RED - Red LED YEL - Yellow LED GRN - Green LED BLU - Blue LED GY - Green/Yellow LED RG - Red/Green LED RB - Red/Blue LED NIL - Non Illuminated*

*The RP8201 series is only offered in a non-illuminated version.

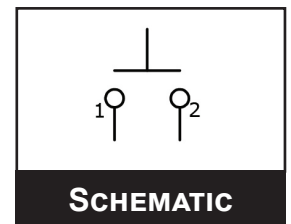
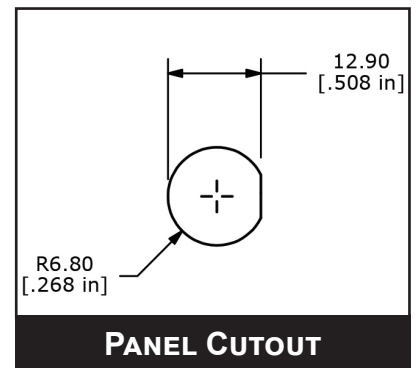
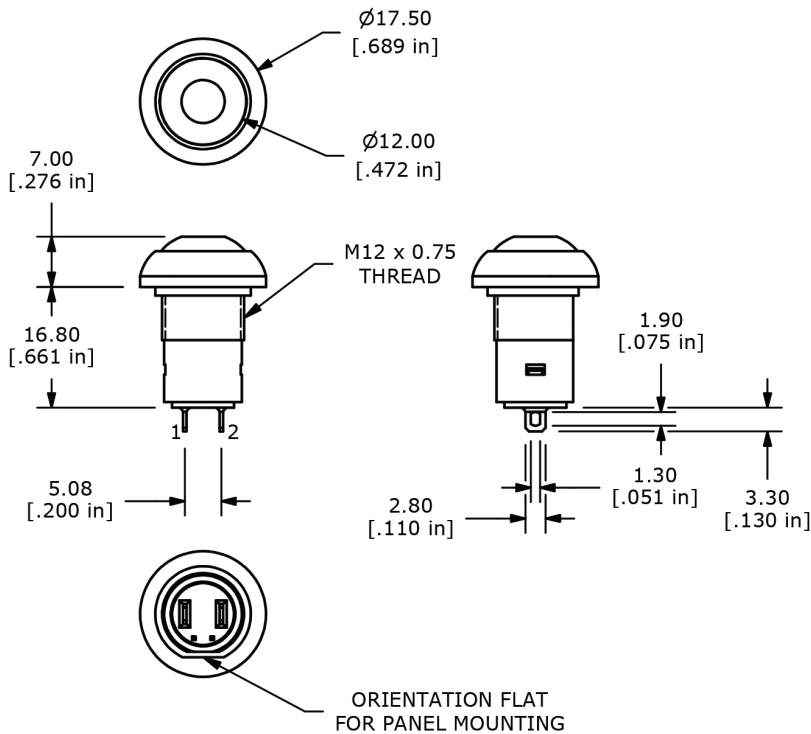
Specifications subject to change without notice 9.25.2019

RP8200 SERIES PUSHBUTTON SWITCH

RP8200 w/ LED B2 BUSHING



RP8200 w/o LED B2 BUSHING



RP8200 SERIES PUSHBUTTON SWITCH

RP8201 w/o LED B2 BUSHING

