

RP8100 SERIES PUSHBUTTON SWITCH

ANTI-VANDAL SWITCHES
DETECTOR SWITCHES
DIP SWITCHES
KEYLOCK SWITCHES
NAVIGATION SWITCHES
PUSHBUTTON SWITCHES
ROCKER SWITCHES
ROTARY SWITCHES
SLIDE SWITCHES
SNAP ACTION SWITCHES
TACTILE SWITCHES
TOGGLE SWITCHES
CAP OPTIONS



APPLICATIONS / MARKETS



Audio / Visual



Electrical Housewares



Floor Care Appliances



White Goods



Instrumentation



Medical Equipment

RoHS

SPECIFICATIONS

Electrical Rating:
125mA @ 125VAC, 100mA @ 50VDC
Life Expectancy: 500,000 Cycles at full load
Contact Resistance: 50mΩ Max. (initial)
Insulation Resistance: 1,000MΩ Min. @ 500VDC
Dielectric Strength: 1,000VAC rms
Operating Temperature: -30°C to 85°C
Travel: 1.5mm
Contact Arrangement: SPST, Off-(On), Momentary
Actuation Force: 350 gf
Contact Bounce: 10ms MAX
Ingress Protection: IP67

FEATURES & BENEFITS

- Threaded or snap in panel mount
- 500,000 life expectancy
- LED illumination options
- Sealed to IP67 ratings
- Molded back w/ wire leads (500mm long) optional

PART NUMBER CONFIGURATOR

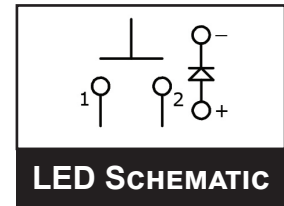
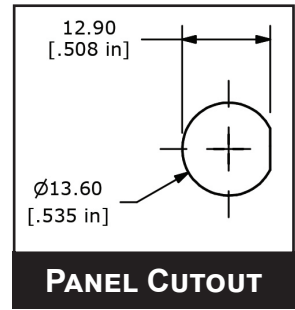
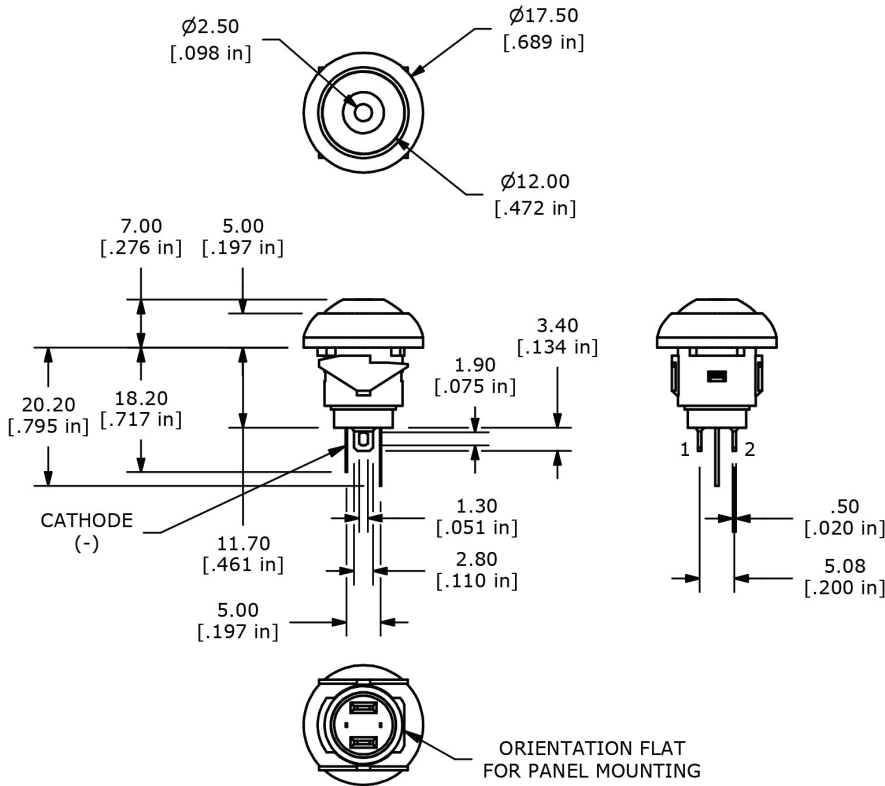
Series	Bushing	Termination	Contact Material	Seal	Housing Color	Cap Color	LED Color
<input type="checkbox"/> <input type="checkbox"/> <input type="checkbox"/> <input type="checkbox"/> <input type="checkbox"/> <input type="checkbox"/> <input type="checkbox"/> <input type="checkbox"/> <input type="checkbox"/> <input type="checkbox"/> <input type="checkbox"/>	<input type="checkbox"/> <input type="checkbox"/>	<input type="checkbox"/> <input type="checkbox"/>	<input type="checkbox"/>	<input type="checkbox"/>	<input type="checkbox"/> <input type="checkbox"/> <input type="checkbox"/>	<input type="checkbox"/> <input type="checkbox"/> <input type="checkbox"/>	<input type="checkbox"/> <input type="checkbox"/> <input type="checkbox"/>
RP8100 RP8101*	B1 - Snap In B2 - Threaded (12 x 0.75)*	M1 - Solder Lug W1 - Molded Back w/Wire Leads 500mm long	C - Gold Over Silver	E - Epoxy Sealed	BLK - Black	WHT - White BLK - Black RED - Red ORG - Orange YEL - Yellow GRN - Green BLU - Blue	WHT - White LED RED - Red LED YEL - Yellow LED GRN - Green LED BLU - Blue LED RG - Red/Green LED RB - Red/Blue LED NIL - Non Illuminated*

*The RP8101 series is only offered with B2 Bushing and is non-illuminated.

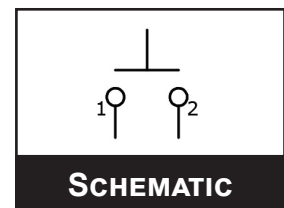
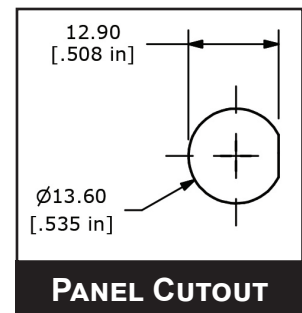
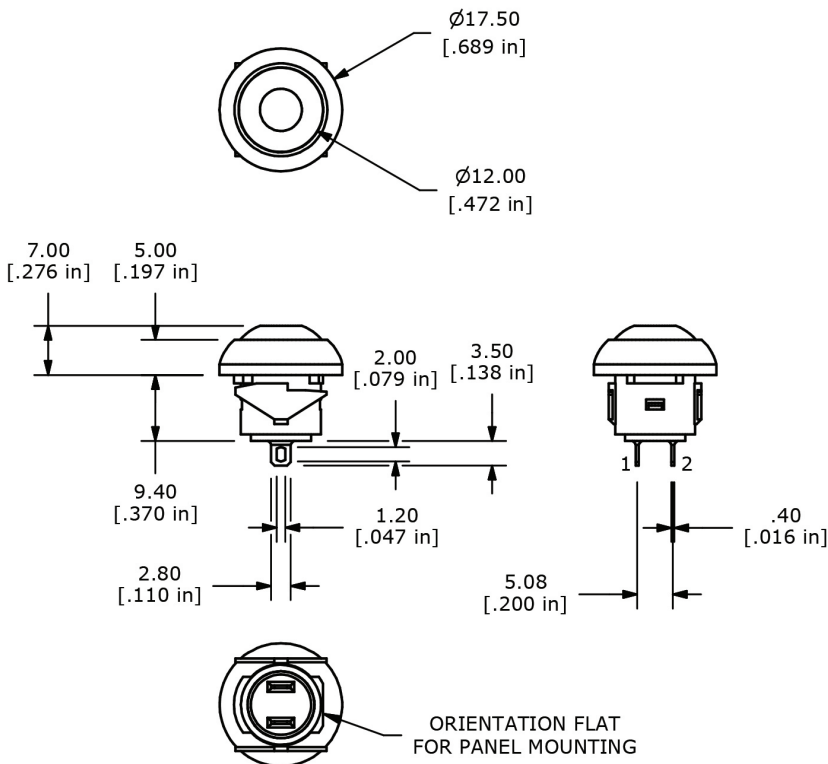
Specifications subject to change without notice 8.25.2021

RP8100 SERIES PUSHBUTTON SWITCH

RP8100 w/LED B1 BUSHING

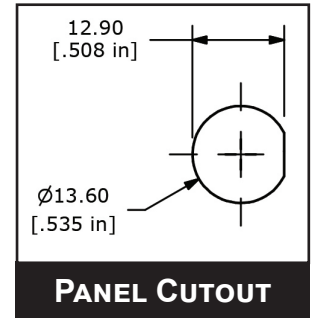
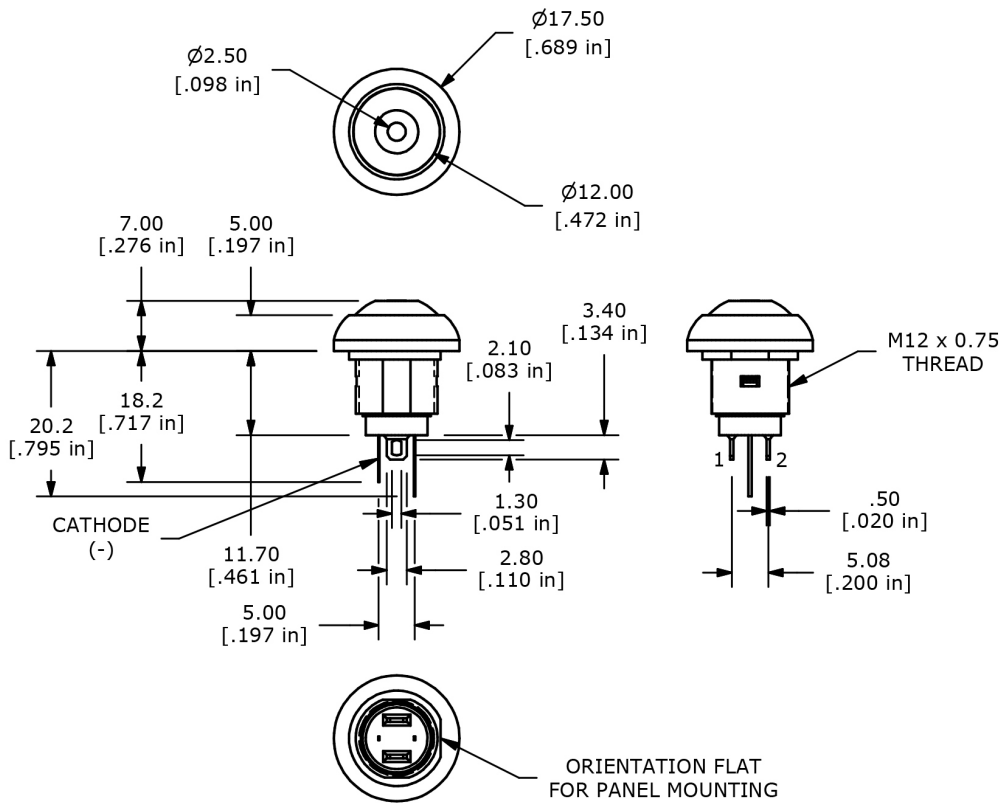


RP8100 w/o LED B1 BUSHING

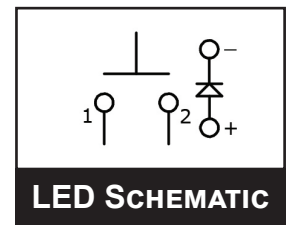


RP8100 SERIES PUSHBUTTON SWITCH

RP8100 w/ LED B2 BUSHING

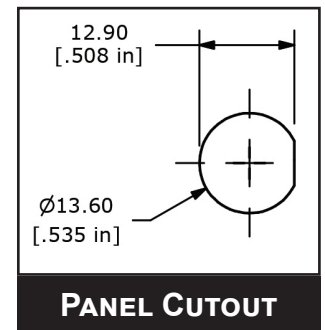
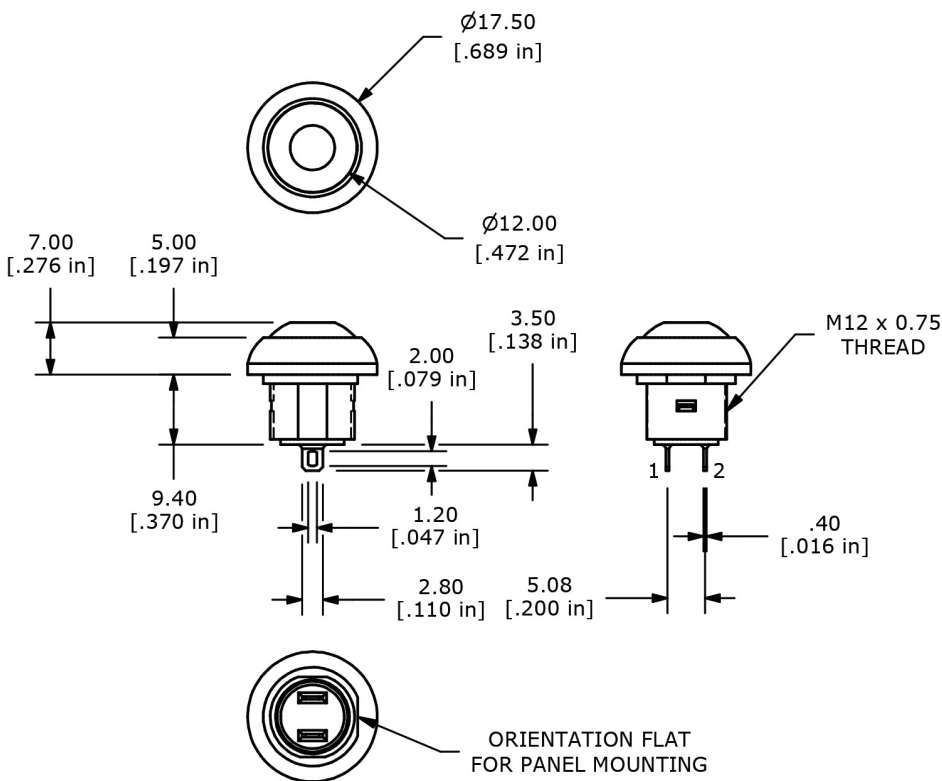


PANEL CUTOUT

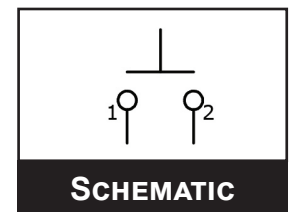


LED SCHEMATIC

RP8100 w/o LED B2 BUSHING



PANEL CUTOUT

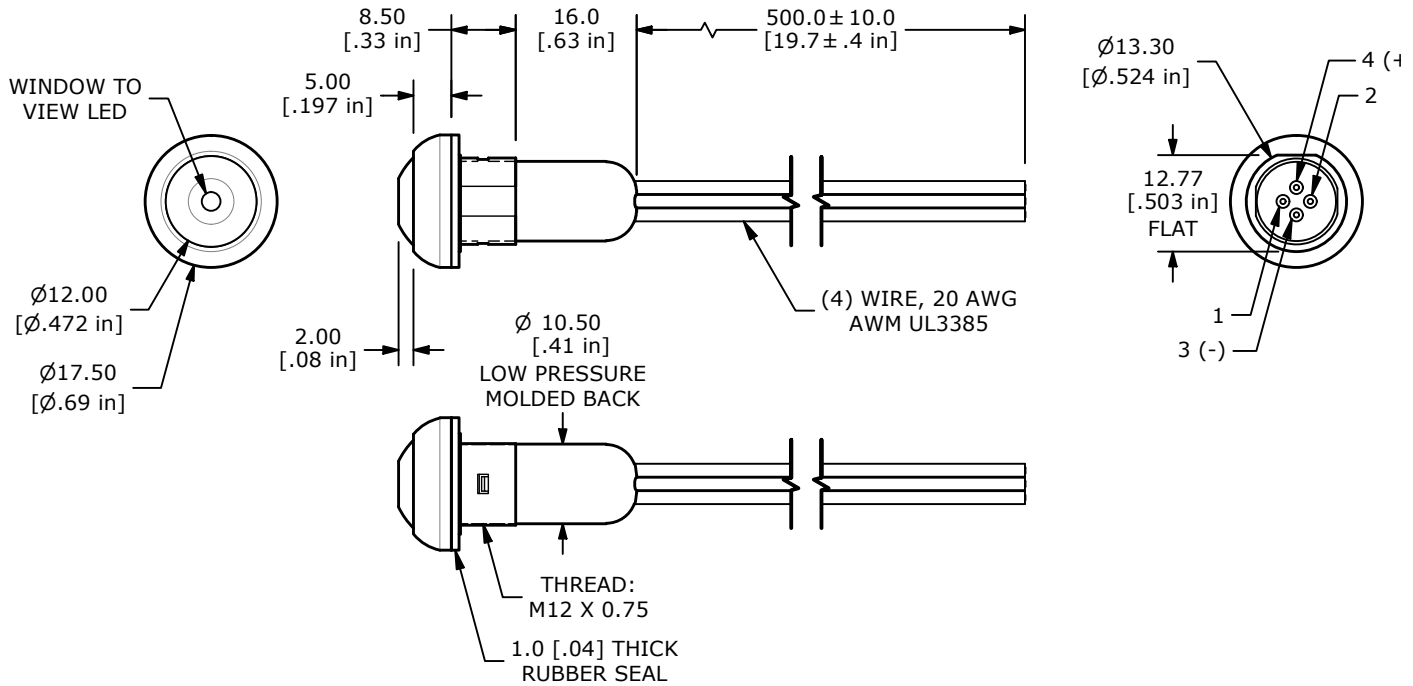


SCHEMATIC

RP8100 SERIES PUSHBUTTON SWITCH

RP8100 w/ LED B2 BUSHING MOLDED BACK w/ WIRED LEADS

TERMINAL	WIRE
1	WIRE, 20 AWG AWM UL3385, BLACK
2	WIRE, 20 AWG AWM UL3385, BLACK
3 (-)	WIRE, 20 AWG AWM UL3385, GREEN
4 (+)	WIRE, 20 AWG AWM UL3385, RED



RP8101 no LED B2

