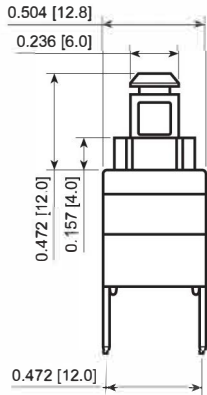
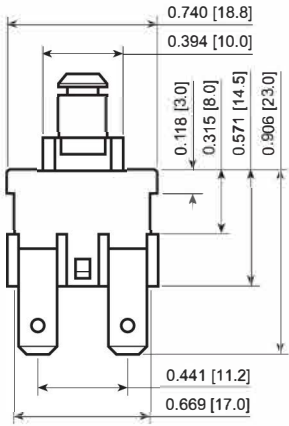
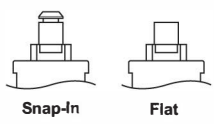


# PA5 Series



### Actuator Options



### FEATURES:

- Durable, Robust and Economical
- Easily Customized Actuator
- High Power Ratings
- Engineered For Use as a Foot Switch
- Popular Industry Design

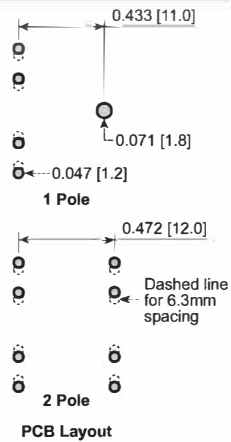
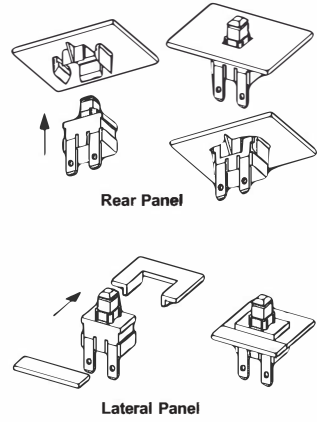
### SPECIFICATIONS:

**RATING:** RATING OPTION C:  
16A 125/250VAC [UL, cUL]

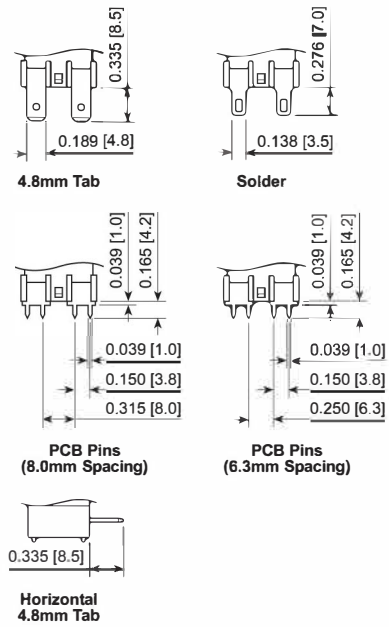
RATING OPTION J:  
16A 125/250VAC [UL, cUL]

**TEMPERATURE:** -20°C to 125°C  
**ELECTRICAL LIFE:** 10,000 Cycles  
**CONTACT RESISTANCE:** 20mΩ Max. at 1A 5VDC  
**INSULATION RESISTANCE:** 100MΩ Min. at 500VDC  
**DIELECTRIC STRENGTH:** 1,000VAC for 1 Minute

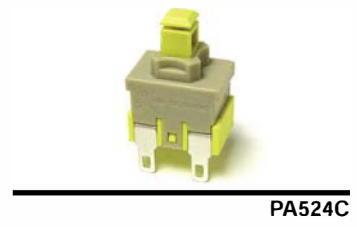
### Mounting Options



### Terminal Options



PA512C



Series	Terminal	Function	Rating
PA5 - Snap-in Actuator	1 - 4.8mm Tab	1 Pole:	C - 16A 125/250AC [UL, CSA]
PA5F - Flat Actuator	2 - Solder	1 - Off/On	16(4)A 250V- 1E4 [ENEC]
	3 - PCB Pins (8.0mm Spacing)	4 - Off (On)	J - 16A 125/250AC [UL, CSA]
	4 - PCB Pins (6.3mm Spacing)	2 Pole:	16(8)A 250V- 1E4 [ENEC]
	5 - Horizontal 4.8mm Tab	2 - Off/On	
		E - Off(On)	

### EXAMPLE PART NUMBERS:

PA511C	1P Off-On
4.8mm Tab Terminals, Snap-In Actuator	
PA512C	2P Off-On
4.8mm Tab Terminals, Snap-In Actuator	
PA514C	1P Off-(On)
4.8mm Tab Terminals, Snap-In Actuator	
PA51EC	2P Off-(On)
4.8mm Tab Terminals, Snap-In Actuator	



SPECIFICATIONS SUBJECT TO CHANGE WITHOUT NOTICE 11.16.2021