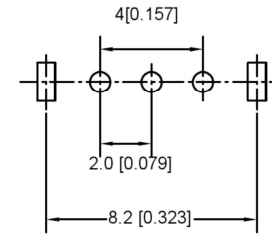
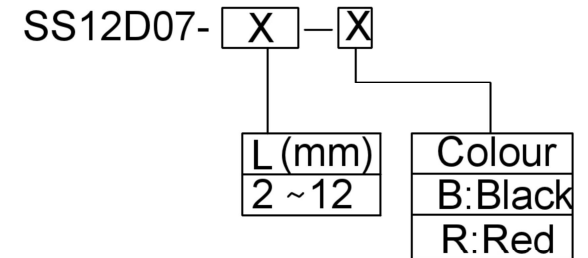
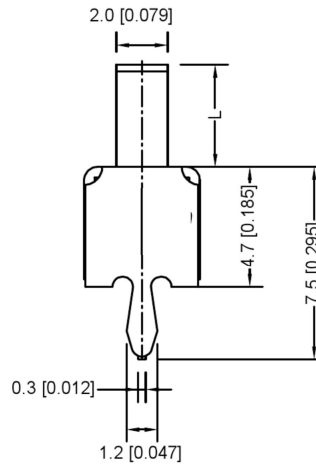
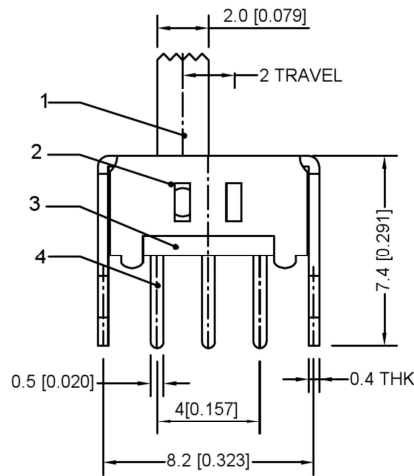


SCHEMATIC (NON-SHORTING)



P.C.B LAYOUT  
BOTTOM VIEW



ITEM	PAPT NAME	TER,NO	QTY	MATERIAL	FINISHING	REMARK
④	Terminal	—	3	Brass (0.30t)	ag Plated	
③	Base	—	1	Phenolic Resin		
②	Cover	—	1	Sus	Natural	
①	Keystake	—	1	Pa66	Black	

RATING	0.3A 50V DC
CIRCUIT	1P2T
CONTACT RESISTANCE	100mΩ MAX
TRAVEL	2mm
OPERATING FORCE	250±100gf
OPERATING LIFE(CYCLES)	10,000

REVISIONS				DATE	REVISED	APPROVED	UNSPECIFIED TOLERANCES	DSND	SCALE: N/A	MODEL TYPE: SLIDE SWITCH		
							ANGULAR ±5°					
							L ≤ 4 ±0.2	DWN	VIEW:	PART NO.: SS12D07		
							4 < L ≤ 16 ±0.3	CHKD	UNIT: mm/in	DWG NO.:		
							16 < L ≤ 63 ±0.4	APPD	SIZE: A4			
							L > 63 ±0.5					
<a href="http://WWW.BODONGKAIGUAN.NET">WWW.BODONGKAIGUAN.NET</a> <a href="http://WWW.CKJACK.COM">WWW.CKJACK.COM</a> <a href="http://WWW.KSDKG.COM">WWW.KSDKG.COM</a>								<b>KE SI DA ELECTRONIC TECHNOLOGY CO., LTD</b>		WEIGHT	SHEET	REVISION
											1/1	A0