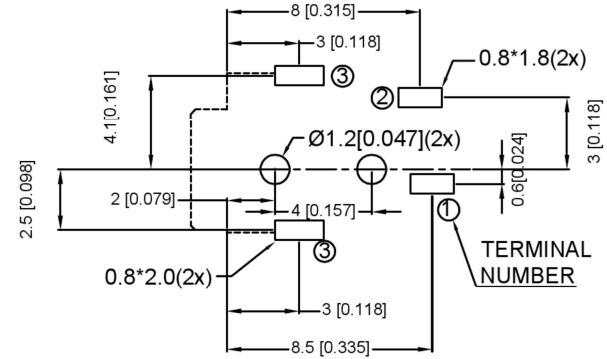


SCHEMATIC	
Model	DC-0310
Center Pin	Ø1.0 mm Ø1.3 mm



PCB LAYOUT
(BOTTOM VIEW)

	MATERIAL	PLATING
axis support	Brass	tin
center pin	Brass	tin
plastic	Pbt	
terminal 1	Brass	tin
terminal 2	Phosphor Bronze	tin
terminal 3	Brass	tin

				ANGLAR	±5°	 SWITCH CONNECTOR	DSND		SCALE: N/A	MODEL TYPE: DC POWER JACK		
				L ≤ 4	±0.2		DWN		VIEW:	PART NO.: DC-0310-1.0		
				4 < L ≤ 16	±0.3		CHKD		UNIT: mm/in	DWG NO.:		
				16 < L ≤ 63	±0.4		APPD		SIZE: A4			
REVISIONS				DATE	REVISED	APPROVED				WEIGHT	SHEET	REVISION
UNSPECIFIED TOLERANCES											1/1	A0
WWW.BODONGKAIGUAN.NET WWW.CKJACK.COM WWW.KSDKG.COM				KE SI DA ELECTRONIC TECHNOLOGY CO., LTD								