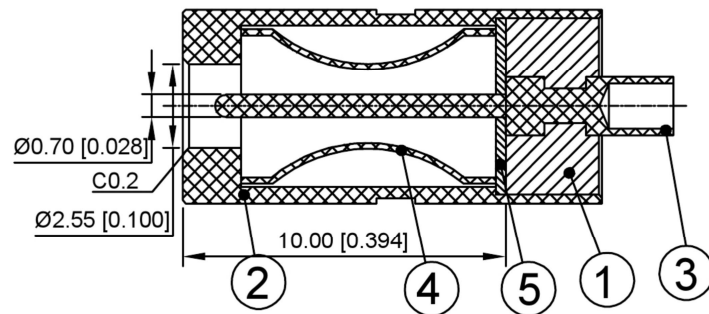


Technolo Request:

- 1.Outlook:
NO burr,no hurt.
- 2.Electronic performance:
 - a:Insulation resistance:
Above DC500V/100MΩ ;
 - b:Endure voltage:
AC500V at 1 minute;
 - c>Contact resistance:
Under 30MΩ ;
- 3.Insertion fore & withdrawal force;0.3-3kgf.
- 4.Salt spray test :24H.



	MATERIAL	PLATING
plastic	Pbt	Black
Waterproof tube	C3604	NI
terminal	Brass	NI
Spring	phosphor bronze	NI
silicone pad		

				ANGLAR	±5°	DSND		SCALE: N/A	MODEL TYPE: DC POWER JACK		
				L ≤ 4	±0.2	DWN		VIEW:	PART NO.: DC-F0760		
				4 < L ≤ 16	±0.3	CHKD		UNIT: mm/in	DWG NO.:		
				16 < L ≤ 63	±0.4	APPD		SIZE: A4			
				L > 63	±0.5						
REVISIONS				UNSPECIFIED TOLERANCES					WEIGHT	SHEET	REVISION
DATE	REVISED	APPROVED			KE SI DA ELECTRONIC TECHNOLOGY CO., LTD				1/1	A0	
WWW.BODONGKAIGUAN.NET				WWW.CKJACK.COM		WWW.KSDKG.COM					