

Technolo Request:

1.Outlook:

N0 burr,no hurt.

2.Electronic performance:

a:Insulation resistance:

Above DC500V/100MΩ ;

b:Endure voltage:

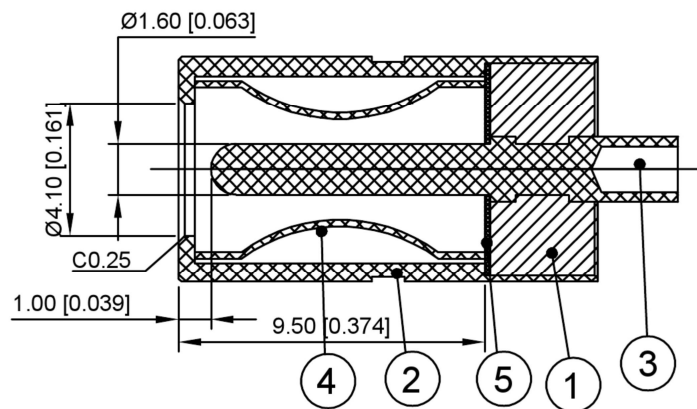
AC500V at 1 minute;

c>Contact resistance:

Under 30MΩ ;

3.Insertion fore & withdrawal force;0.3-3kgf.

4.Salt spray test :24H.



|                 | MATERIAL        | PLATING |
|-----------------|-----------------|---------|
| plastic         | Pbt             | Black   |
| Waterproof tube | C3604           | NI      |
| terminal        | C3604           | NI      |
| Spring          | phosphor bronze | NI      |
| silicone pad    |                 |         |

| REVISIONS  |  |  |  | DATE | REVISED | APPROVED | UNSPECIFIED TOLERANCES | DSND                                    | SCALE: N/A  | MODEL TYPE:<br>DC POWER JACK |       |          |
|--|--|--|--|------|---------|----------|------------------------|---|-------------|------------------------------|-------|----------|
|  |  |  |  |      |         |          | ANGULAR ±5°            | DWN                                     | VIEW:       | PART NO.: DC-F1670           |       |          |
|  |  |  |  |      |         |          | L ≤ 4 ±0.2             | CHKD                                    | UNIT: mm/in | DWG NO.:                     |       |          |
|  |  |  |  |      |         |          | 4 < L ≤ 16 ±0.3        | APPD                                    | SIZE: A4    |                              |       |          |
|  |  |  |  |      |         |          | 16 < L ≤ 63 ±0.4       |   |             |                              |       |          |
|  |  |  |  |      |         |          | L > 63 ±0.5            |   |             |                              |       |          |
| WWW.BODONGKAIGUAN.NET WWW.CKJACK.COM WWW.KSDKG.COM |  |  |  |      |         |          |                        | KE SI DA ELECTRONIC TECHNOLOGY CO., LTD |             | WEIGHT                       | SHEET | REVISION |
|  |  |  |  |      |         |          |                        |   |             |                              | 1/1   | A0       |

**KSD**  
SWITCH CONNECTOR