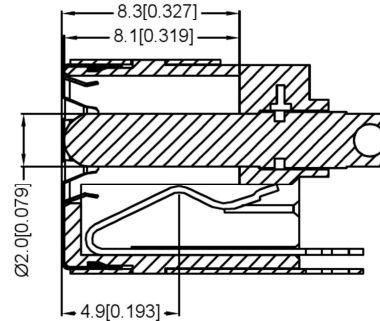
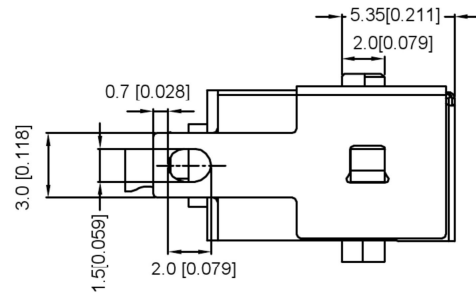


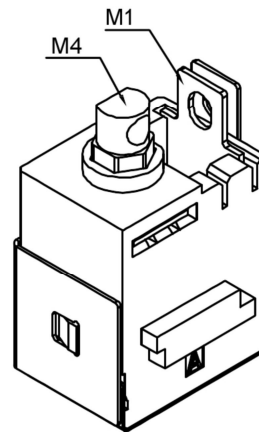
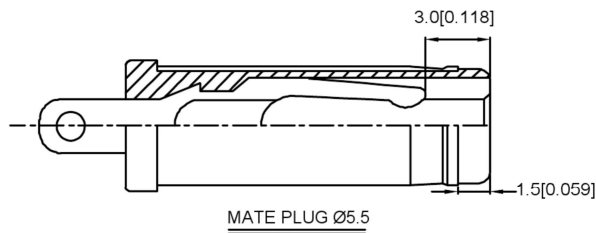
NOTES:

笔记:

1. CONTACT CURRENT RATING: 7A
1. 触点额定电流: 7A
2. CONTACT RESISTANCE: 50 mΩ MAX
2. 接触电阻: 最大 50 mΩ
3. INSULATION RESISTANCE: 100MΩ MIN
3. 绝缘电阻: 100MΩ MIN
4. DIELECTRIC WITHSTANDING: 500V AC MIN.
4. 耐介质: 最小 500V AC.
5. DURABILITY: 5,000 CYCLES MIN.
5. 耐久性: 至少 5,000 次循环。
6. CONNECTOR MATING FORCES: 29.4N (3.00Kgf) MAX.;
6. 连接器配合力: 最大 29.4N (3.00Kgf) 。
7. CONNECTOR UNMATING FORCES: 2.94N (0.30Kgf) MIN
7. 连接器脱离力: 最小 2.94N (0.30Kgf)



SECTION A-A



| | |
|------------|----------|
| SCHEMATIC | |
| Model | DC-044AE |
| Center Pin | Ø2.0 mm |
| | Ø2.5 mm |

| | MATERIAL | PLATING |
|--------------|-----------------|---------|
| axis support | Brass | silver |
| center pin | Brass | silver |
| plastic | Pbt | |
| terminal 1 | Brass | silver |
| terminal 2 | Phosphor Bronze | silver |
| terminal 3 | Brass | silver |

| | | | | | | | |
|-----------------------|--|--|--|---|------|-------------|------------------------------|
| | | | | DSND | | SCALE: N/A | MODEL TYPE: DC POWER JACK |
| | | | | DWN | | VIEW: | PART NO.: DC-044AE-2.0 |
| | | | | CHKD | | UNIT: mm/in | DWG NO.: |
| | | | | APPD | | SIZE: A4 | |
| REVISIONS | | | | ANGLAR | ±5° | | |
| | | | | L ≤ 4 | ±0.2 | | |
| | | | | 4 < L ≤ 16 | ±0.3 | | |
| | | | | 16 < L ≤ 63 | ±0.4 | | |
| | | | | L > 63 | ±0.5 | | |
| | | | | UNSPECIFIED TOLERANCES | | | |
| DATE | | | | KE SI DA ELECTRONIC TECHNOLOGY CO., LTD | | | |
| REVISED | | | | WEIGHT | | | |
| APPROVED | | | | SHEET | | | |
| | | | | REVISION | | | |
| WWW.BODONGKAIGUAN.NET | | | | 1/1 | | | |
| WWW.CKJACK.COM | | | | A0 | | | |
| WWW.KSDKG.COM | | | | | | | |