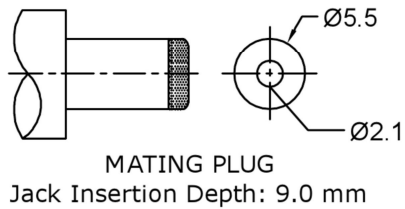
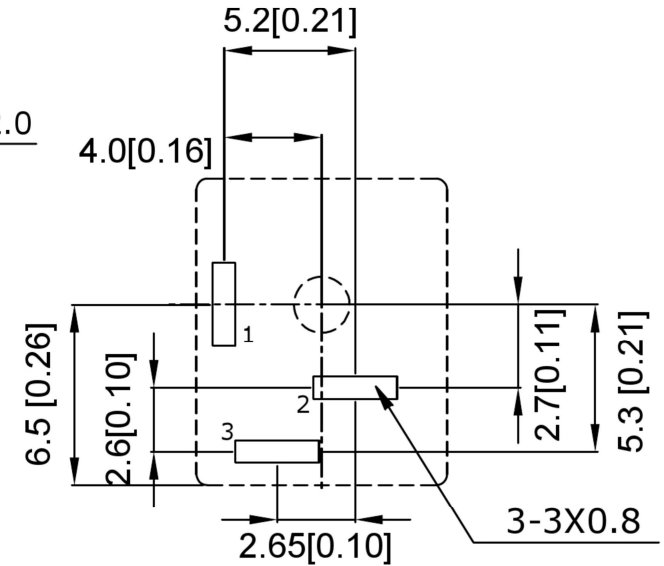
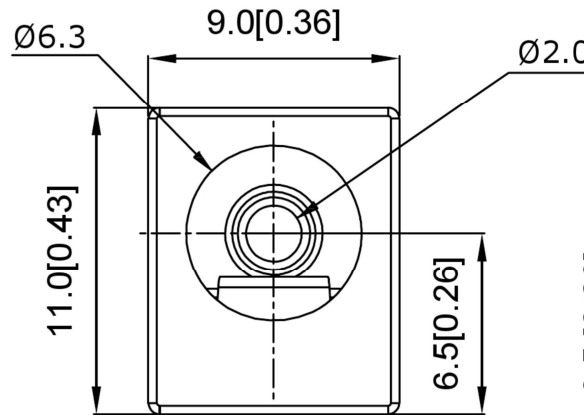


2.7 [0.11]



SCHEMATIC	
Model	DC-012-5A
Center Pin	Ø2.0 mm
	Ø2.5 mm

	MATERIAL	PLATING
center pin	Brass	tin
terminal 1	Brass	tin
terminal 2	Phosphor Bronze	tin
terminal 3	Brass	tin
plastic	Pbt	
Cover	Pf	

REVISIONS				DATE	REVISED	APPROVED	UNSPECIFIED TOLERANCES	DSND	SCALE: N/A	MODEL TYPE: DC POWER JACK		
			ANGULAR				±5°					
			L ≤ 4				±0.2	DWN	VIEW:	PART NO.: DC-012-5A-2.0		
			4 < L ≤ 16				±0.3	CHKD	UNIT: mm/in	DWG NO.:		
			16 < L ≤ 63				±0.4	APPD	SIZE: A4			
			L > 63				±0.5					
WWW.BODONGKAIGUAN.NET WWW.CKJACK.COM WWW.KSDKG.COM								KE SI DA ELECTRONIC TECHNOLOGY CO., LTD		WEIGHT	SHEET	REVISION
										1/1	A0	

**KSD**  
SWITCH CONNECTOR