

Technolo Request:

1.Outlook:

NO burr,no hurt.

2.Electronic performance:

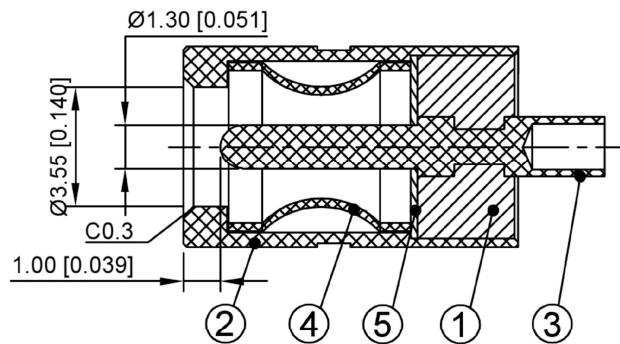
a:Insulation resistance:
Above DC500V/100MΩ;

b:Endure voltage:
AC500V at 1 minute;

c:Contact resistance:
Under 30MΩ;

3.Insertion fore & withdrawal force;0.3-3kgf.

4.Salt spray test :24H.



	MATERIAL	PLATING
	plastic	Pbt
	Black	
Waterproof tube	C3604	NI
terminal	Brass	NI
Spring	phosphor bronze	NI
silicone pad		

REVISIONS				DATE	REVISED	APPROVED	UNSPECIFIED TOLERANCES	DSND	SCALE: N/A	MODEL TYPE: DC POWER JACK		
							ANGULAR	±5°	DWN	VIEW:	PART NO.: DC-F1360	
							L ≤ 4	±0.2	CHKD	UNIT: mm/in	DWG NO.:	
							4 < L ≤ 16	±0.3	APPD	SIZE: A4		
							16 < L ≤ 63	±0.4				
							L > 63	±0.5				
WWW.BODONGKAIGUAN.NET								KE SI DA ELECTRONIC TECHNOLOGY CO., LTD		WEIGHT	SHEET	REVISION
WWW.CKJACK.COM										1/1	A0	
WWW.KSDKG.COM												

KSD
SWITCH CONNECTOR