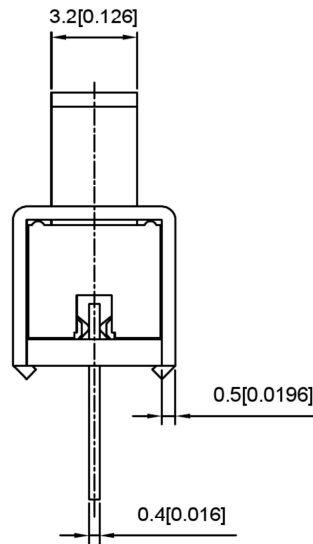
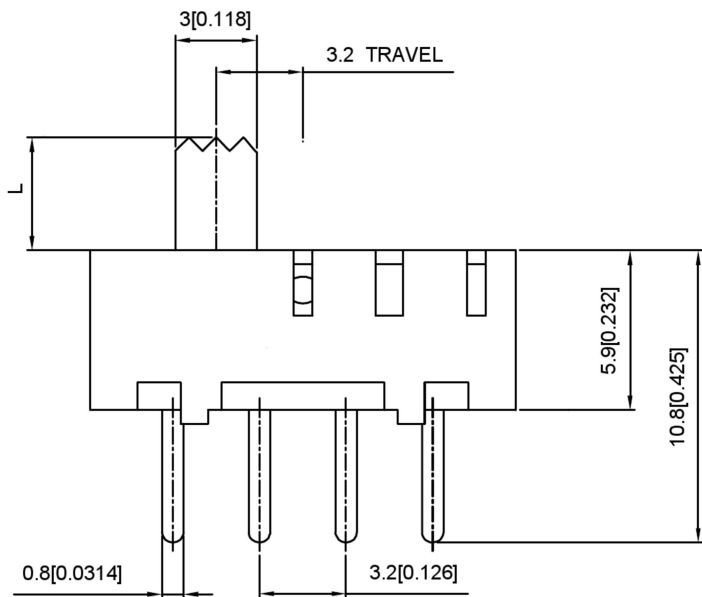




SCHMATIC

SS13F06- X

L(MM)
2 ~ 10



RATING	0.3A 50V DC
CIRCUIT	1P2T
CONTACT RESISTANCE	100MΩ MAX
TRAVEL	2MM
OPERATING FORCE	250±100gf
OPERATING LIFE	10000

				ANGLAR	±5°	 SWITCH CONNECTOR	DSND		SCALE: N/A	MODEL TYPE: SLIDE SWITCH		
				L ≤ 4	±0.2		DWN		VIEW: 	PART NO.: SS13F06		
				4 < L ≤ 16	±0.3		CHKD		UNIT: mm/in	DWG NO.:		
				16 < L ≤ 63	±0.4		APPD		SIZE: A4			
				L > 63	±0.5							
REVISIONS				DATE	REVISED	APPROVED	UNSPECIFIED TOLERANCES			WEIGHT	SHEET	REVISION
WWW.BODONGKAIGUAN.NET				WWW.CKJACK.COM		WWW.KSDKG.COM		KE SI DA ELECTRONIC TECHNOLOGY CO., LTD			1/1	A0