

NOTE:

注释:

Rating: DC 12V 50mA

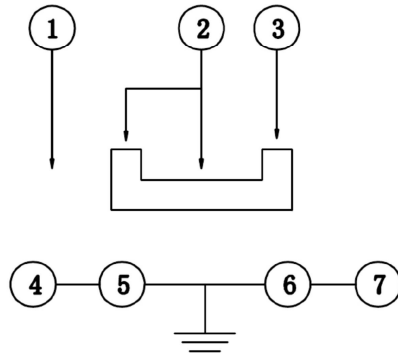
额定值: DC 12V 50mA

Operating Force: 200±100gf

操作力: 200±100gf

Lifetime: 10,000 Cycles

寿命: 10000次循环



PAPT NO	L
SK-3296S-01-L1	1.5
SK-3296S-01-L2	2.0
SK-3296S-01-L3	2.5

ITEM	PAPT NAME	TER,NO	QTY	MATERIAL	FINISHING	REMARK
⑤	Terminal	3	3	Brass (0.30t)	ag Plated	
④	Contact spring	1	1	Phosphor bronze	ag Plated	
③	Base	1	1	Lcp	Black	
②	Cover	1	1	Brass	Natural	
①	Keystake	1	1	Pa46	Black	

REVISIONS				ANGLAR	±5°
DATE	REVISED	APPROVED		L ≤ 4	±0.2
				4 < L ≤ 16	±0.3
				16 < L ≤ 63	±0.4
				L > 63	±0.5
				UNSPECIFIED TOLERANCES	

DSND	SCALE: N/A	MODEL TYPE:
DWN <td>VIEW: </td> <td>SLIDE SWITCH</td>	VIEW:	SLIDE SWITCH
CHKD <td>UNIT: mm/in <td>PART NO.: SK-3296S-01</td> </td>	UNIT: mm/in <td>PART NO.: SK-3296S-01</td>	PART NO.: SK-3296S-01
APPD <td>SIZE: A4 <td>DWG NO.:</td> </td>	SIZE: A4 <td>DWG NO.:</td>	DWG NO.:
KE SI DA ELECTRONIC TECHNOLOGY CO., LTD		WEIGHT
		SHEET
		REVISION
		1/1
		A0