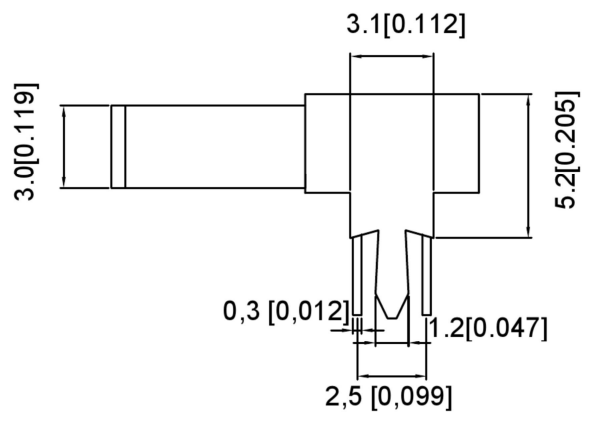
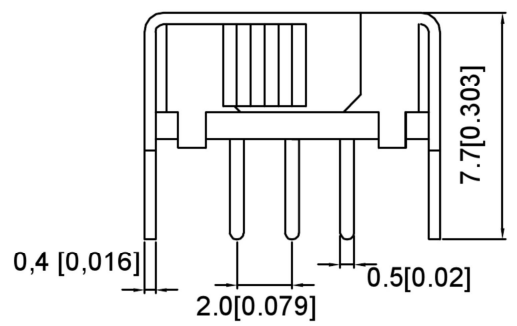
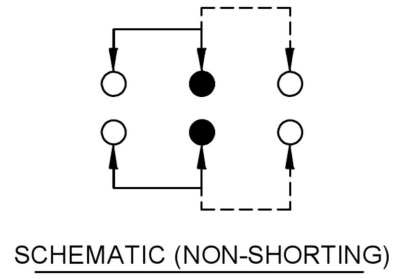
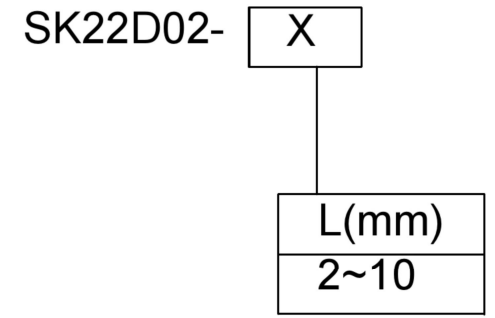


P.C.B LAYOUT  
BOTTOM VIEW



MODEL CODE



				ANGLAR	±5°	<div style="font-size: 2em; font-weight: bold; margin: 0;">KSD</div> <p>SWITCH CONNECTOR</p>	DSND		SCALE: N/A	MODEL TYPE: SLIDE SWITCH			
				L ≤ 4	±0.2		DWN		VIEW:	PART NO.: SK22D02			
				4 < L ≤ 16	±0.3		CHKD		UNIT: mm/in	DWG NO.:			
				16 < L ≤ 63	±0.4		APPD		SIZE: A4				
				L > 63	±0.5								
REVISIONS				DATE	REVISED	APPROVED							
UNSPECIFIED TOLERANCES								KE SI DA ELECTRONIC TECHNOLOGY CO., LTD			WEIGHT	SHEET	REVISION
WWW.BODONGKAIGUAN.NET    WWW.CKJACK.COM    WWW.KSDKG.COM											1/1	A0	