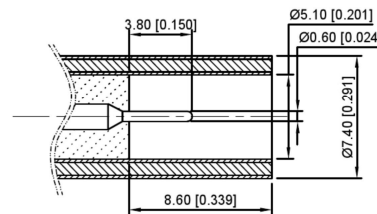
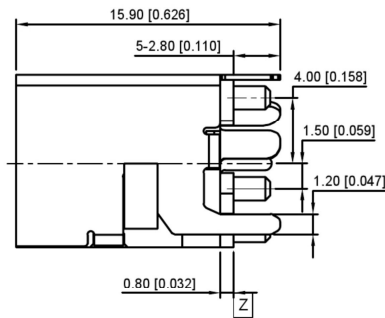
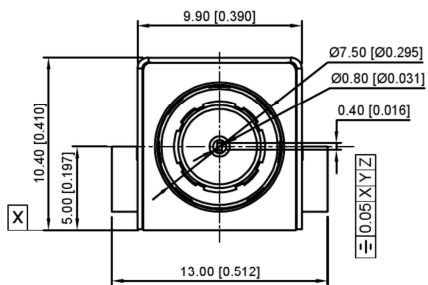
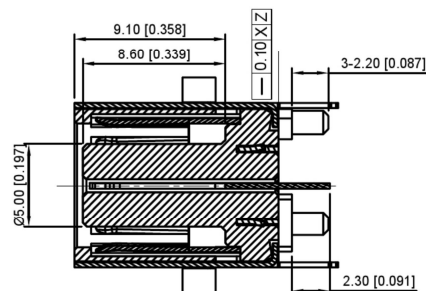
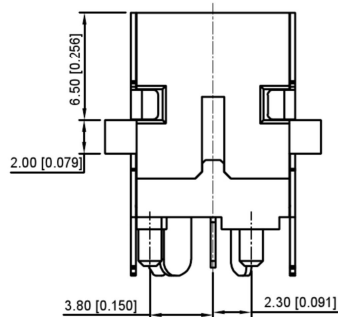


PCB LAYOUT TOP VIEW  
TOLERANCES:±0.05

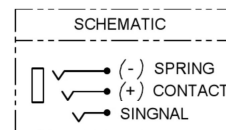


DC PLUG

- SPECIFICATIONS:
- ELECTRICAL CHARACTERISTICS:
    - RATING:25V,8A Min
    - CONTACT RESISTANCE: 50MILLIOHMS Max.FOR INITIAL, 80MILLIOHMS Max.FFTER 5000 CYCLES
    - INSULATION RESISTANCE:10 MEGAHOHMS Min. BY 500V DC AFTER 1 MINUTE.
    - DIELECTRIC WITHSTANDING VOLTAGE:500V RMS AFTER 1 MINUTE.
  - MECHANICAL CHARACTERISTICS:
    - INSERTION FORCE:0.3~3.0 KGF(2.94~29.4N)
    - WITHDRAWAL FORCE:0.3~3.0 KGF(2.94~29.4N)
    - LIFE TEST:5000 CYCLES MIN.



SECTION A-A



NO.	PART NAME	QTY	MATERIAL(THICK)	PLATING(COLOR)
⑥	COVER	1	HIGH TEMP.THERMOPLASTIC	Black
⑤	HOUSING	1	HIGH TEMP.THERMOPLASTIC	Black
④	SHELL	1	COPPER ALLOY t=0.30	Ni-Plated
③	TERMINAL 3#	1	COPPER ALLOY t=0.30	Au-Plated
②	TERMINAL 2#	1	COPPER ALLOY t=0.30	Au-Plated
①	TERMINAL 1#	1	COPPER ALLOY t=0.30	Au-Plated

REVISIONS				DATE	REVISED	APPROVED	UNSPECIFIED TOLERANCES	DSND	SCALE: N/A	MODEL TYPE: DC POWER JACK		
							ANGULAR ±5°	DWN	VIEW:	PART NO.: DC-070D-8A-0.8		
							L ≤ 4 ±0.2	CHKD	UNIT: mm/in	DWG NO.:		
							4 < L ≤ 16 ±0.3	APPD	SIZE: A4			
							16 < L ≤ 63 ±0.4					
							L > 63 ±0.5					
								KE SI DA ELECTRONIC TECHNOLOGY CO., LTD		WEIGHT	SHEET	REVISION
WWW.BODONGKAIGUAN.NET WWW.CKJACK.COM WWW.KSDKG.COM										1/1	A0	

**KSD**  
SWITCH CONNECTOR