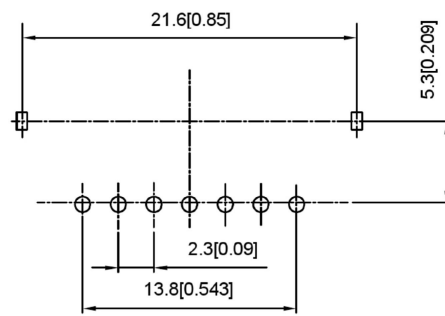
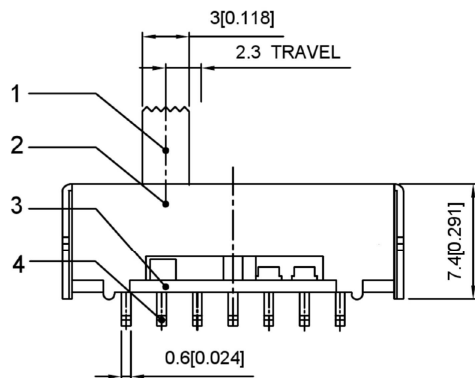


SCHEMATIC



PCB LAYOUT  
BOTTOM VIEW

SS15E01- X  
L(MM)  
2 ~ 10

RATING	0.3A 50V DC
CIRCUIT	1P7T
CONTACT RESISTANCE	100MΩ MAX
TRAVEL	2.3MM
OPERATING FORCE	250±100gf
OPERATING LIFE	10000

ITEM	PAPT NAME	TER,NO	QTY	MATERIAL	FINISHING	REMARK
④	Terminal	—	7	Brass (0.30t)	ag Plated	—
③	Base	—	1	Phenolic Resin		—
②	Cover	—	1	Sus	Natural	—
①	Keystake	—	1	Pa66	Black	—

REVISIONS				DATE	REVISED	APPROVED	UNSPECIFIED TOLERANCES	DSND	SCALE: N/A	MODEL TYPE: SLIDE SWITCH
							ANGULAR ±5°			
							L ≤ 4 ±0.2	DWN	VIEW:	PART NO.: SS15E01
							4 < L ≤ 16 ±0.3	CHKD	UNIT: mm/in	DWG NO.:
							16 < L ≤ 63 ±0.4	APPD	SIZE: A4	
							L > 63 ±0.5			
WWW.BODONGKAIGUAN.NET WWW.CKJACK.COM WWW.KSDKG.COM								KE SI DA ELECTRONIC TECHNOLOGY CO., LTD		WEIGHT SHEET REVISION 1/1 A0

