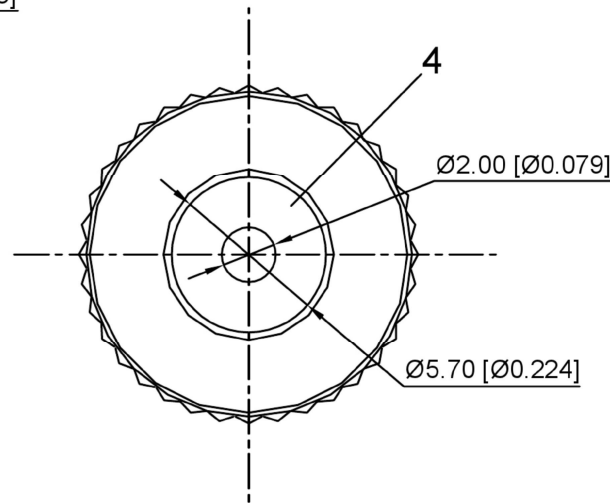
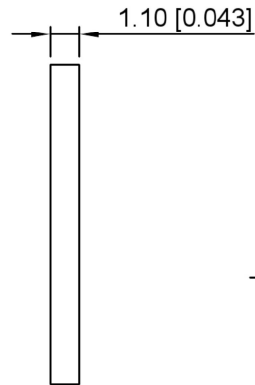
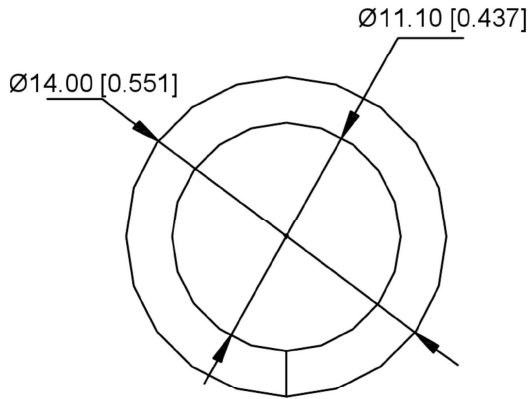
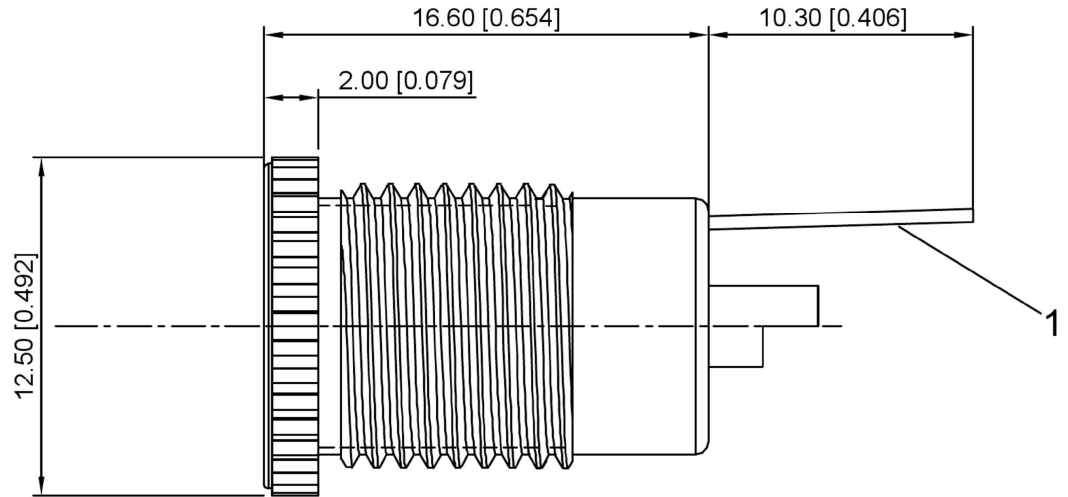
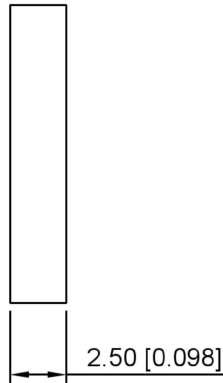
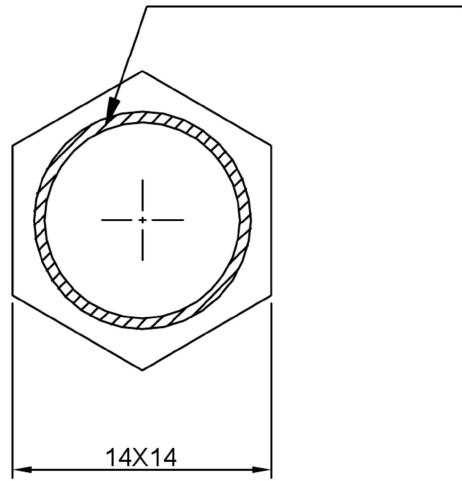


M11X1



SCHEMATIC	# 4
	# 1
Model	DC-099
Center Pin	Ø1.65 mm
	Ø2.0 mm
	Ø2.5 mm

				ANGLAR	±5°	DSND	SCALE: N/A	MODEL TYPE:	DC POWER JACK
				L ≤ 4	±0.2	DWN	VIEW:	PART NO.:	DC-099-8A-2.0
				4 < L ≤ 16	±0.3	CHKD	UNIT: mm/in	DWG NO.:	
				16 < L ≤ 63	±0.4	APPD	SIZE: A4		
				L > 63	±0.5				
REVISIONS				UNSPECIFIED TOLERANCES					
DATE	REVISED	APPROVED			KE SI DA ELECTRONIC TECHNOLOGY CO., LTD				
WWW.BODONGKAIGUAN.NET    WWW.CKJACK.COM    WWW.KSDKG.COM						WEIGHT	SHEET	REVISION	
						1/1	A0		