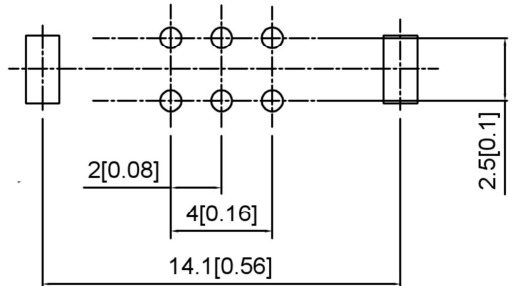
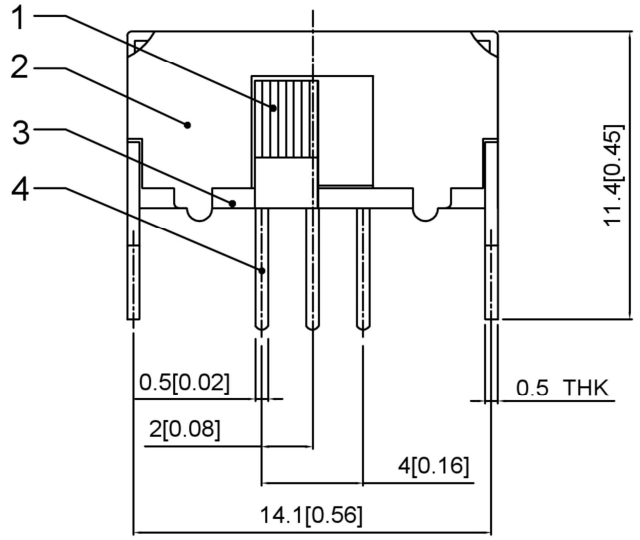
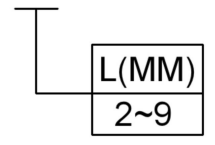


SCHEMATIC (NON-SHORTING)



P.C.B LAYOUT
BOTTOM VIEW

SK22D15-X



ITEM	PAPT NAMF	QTY	MATERIAL	FINISHING	REMARK
⑥	SPRING	1	SUS STRIP	NATURAL	
⑤	CONTACT CLIP	2	PBS STRIP	AG CLAD	
④	TERMINAL	6	BRASS STRIP	AG PLATED	
③	BASE	1	PHENOLIC RESIN	NATURAL	
②	FRAME	1	STEEL STRIP	NI PLATED	
①	KNOB	1	PA66	BLACK	

REVISIONS				DATE	REVISED	APPROVED	UNSPECIFIED TOLERANCES

DSND		SCALE: N/A	MODEL TYPE: SLIDE SWITCH
DWN		VIEW:	PART NO.: SK22D15X
CHKD		UNIT: mm/in	DWG NO.:
APPD		SIZE: A4	
KE SI DA ELECTRONIC TECHNOLOGY CO., LTD			WEIGHT
			SHEET
			REVISION
			1/1
			A0

