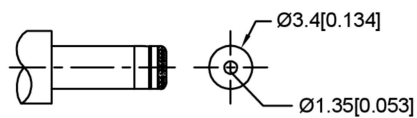
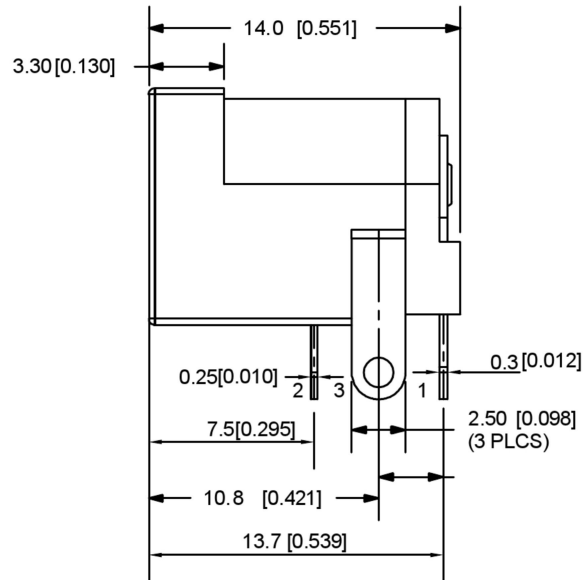


PCB LAYOUT  
TOP VIEW



MATING PLUG  
Jack Insertion Depth: 9.15 mm

SCHEMATIC	
Model	DC-005C-2A
Center Pin	Ø1.3 mm

	MATERIAL	PLATING
center pin	Brass	tin
terminal 1	Brass	tin
terminal 2	Phosphor Bronze	tin
terminal 3	Brass	tin
plastic	Pbt	

				ANGLAR	±5°	DSND		SCALE: N/A	MODEL TYPE: DC POWER JACK		
				L ≤ 4	±0.2	DWN		VIEW:	PART NO.: DC-005C-2A-1.3		
				4 < L ≤ 16	±0.3	CHKD		UNIT: mm/in	DWG NO.:		
				16 < L ≤ 63	±0.4	APPD		SIZE: A4			
				L > 63	±0.5						
REVISIONS				UNSPECIFIED TOLERANCES		KE SI DA ELECTRONIC TECHNOLOGY CO., LTD			WEIGHT	SHEET	REVISION
DATE				APPROVED					1/1	A0	
WWW.BODONGKAIGUAN.NET				WWW.CKJACK.COM		WWW.KSDKG.COM					