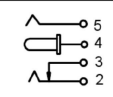
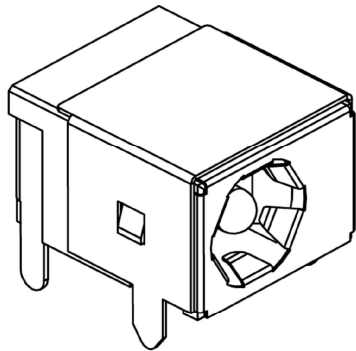
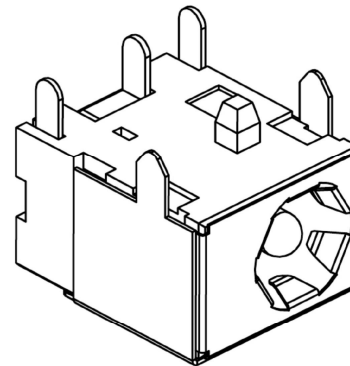
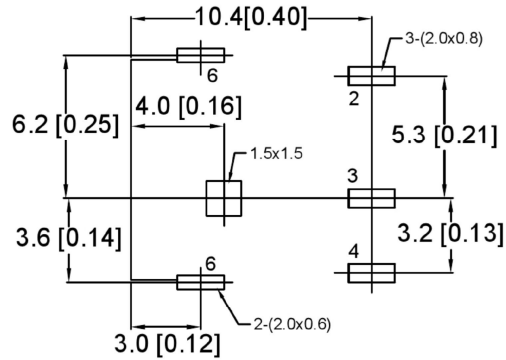


- ### SPECIFICATION
- Rating : DC 24V 5.0A;
  - Contact resistance:  $\leq 0.03\Omega$ ;
  - Insulation resistance:  $\geq 100M\Omega$  (DC250V);
  - Withstand voltage: 500VAC ;
  - Insertion and extraction force: 3-20N;
  - life test: 5,000 cycles.


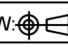
SCHEMATIC	
Model	DC-044B
Center Pin	Ø2.0 mm
	Ø2.5 mm



P.C.B LAYOUT  
TOP VIEW



	MATERIAL	PLATING
housing	high thermoplastic	silver
terminal2	Phosphor Bronze	silver
terminal3	brass	silver
terminal4	brass	silver
center pin	brass	NI
terminal6	Phosphor Bronze	NI
cover	sus	

REVISIONS				DATE	REVISED	APPROVED	UNSPECIFIED TOLERANCES	DSND	SCALE: N/A	MODEL TYPE: DC POWER JACK			
WWW.BODONGKAIGUAN.NET				WWW.CKJACK.COM				WWW.KSDKG.COM					
ANGULAR				$\pm 5^\circ$				 SWITCH CONNECTOR	DWN	VIEW: 	PART NO.: DC-044B-5A-2.5		
$L \leq 4$				$\pm 0.2$					CHKD	UNIT: mm/in	DWG NO.:		
$4 < L \leq 16$				$\pm 0.3$					APPD	SIZE: A4			
$16 < L \leq 63$				$\pm 0.4$									
$L > 63$				$\pm 0.5$				KE SI DA ELECTRONIC TECHNOLOGY CO., LTD			WEIGHT	SHEET	REVISION
											1/1	A0	