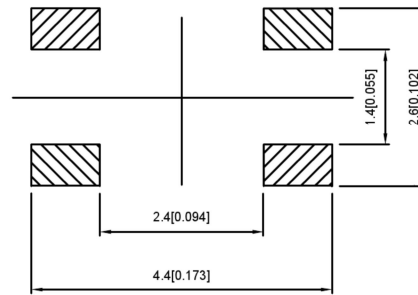
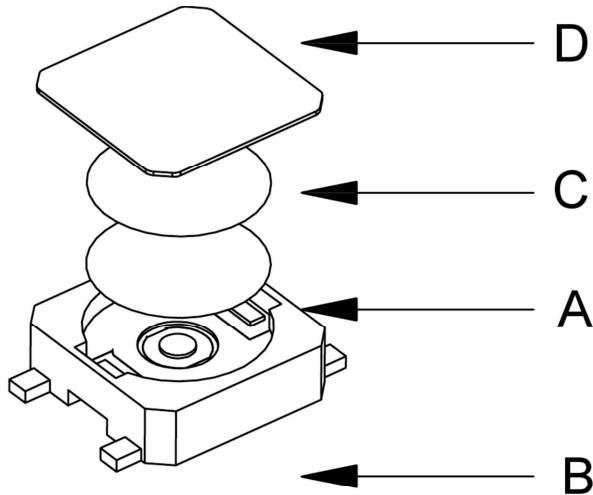
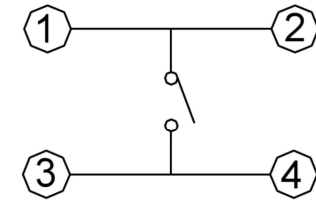


The Main Thchnology Performance

主要技术性能
Rate vltage.current:50mA DC 12V
 额定电压.电流: 50mA DC 12V
Contact resistance:≤100mΩ
 接触电阻: ≤100mΩ
Operating force: 260±50gf
 操作力: 260±50gf
Travel: 0.20±0.1mm
 行程: 0.20±0.1mm
Insulated resistance: ≥100mΩ
 绝缘电阻: ≥100mΩ
Dielectric strength: ≥250VAC/lmin
 绝缘电强度: ≥250VAC/lmin
Endurance: ≥30000
 耐力: ≥30000



PCB.WELDING DRAWING



CIRCUIT DIAGRAM

D	Yellow membrane	polyimide	1	Orange
C	Shrapnel	SUS	2	plate with silver
B	Clasp	phosphorous copper	1	plate with solver
A	Pedestal	LCP	1	grey
ITEM	DESCRIPTION	MATERIAL	QTY	FINSH/COLOR

				ANGLAR	±5°		DSND		SCALE: N/A	MODEL TYPE: TACT SWITCH
				L ≤ 4	±0.2		DWN		VIEW:	PART NO.: TS-1177A-C
				4 < L ≤ 16	±0.3		CHKD		UNIT: mm/in	DWG NO.:
				16 < L ≤ 63	±0.4		APPD		SIZE: A4	
				L > 63	±0.5					
DATE	REVISED	APPROVED	UNSPECIFIED TOLERANCES			KE SI DA ELECTRONIC TECHNOLOGY CO., LTD				
WWW.BODONGKAIGUAN.NET WWW.CKJACK.COM WWW.KSDKG.COM							WEIGHT	SHEET	REVISIC	
								1/1	A0	