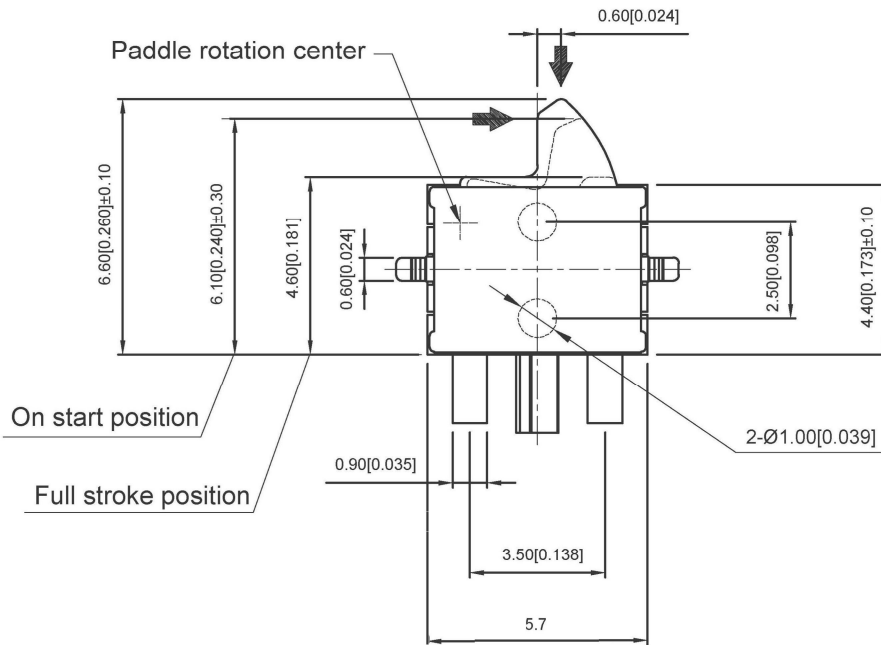
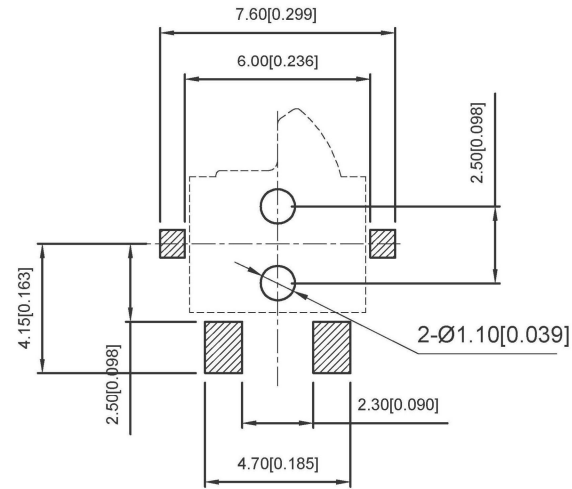
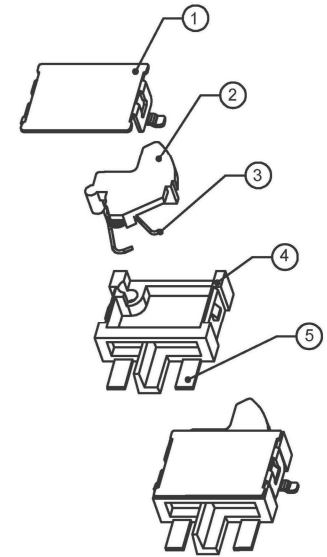
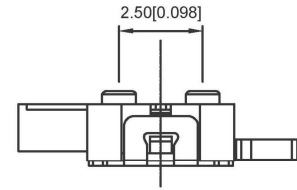


Circuit diagram: normally open (N.O.)
 1 circuit 1 contact
 Terminal arrangement (viewed from direction a)



5	Welding leg	1	Bass	
4	Pedestal	1	LCP	grey
3	Spring	1	Phosphor copper	
2	Button	1	LCP	grey
1	lid	1	SUS	
ITEM	PAPT NAMF	QTY	Material	

				ANGLAR	±5°	 SWITCH CONNECTOR	DSND		SCALE: N/A	MODEL TYPE: DETECT SWITCH		
				L ≤ 4	±0.2		DWN		VIEW:	PART NO.:	TM-1617SB	
				4 < L ≤ 16	±0.3		CHKD		UNIT: mm/in	DWG NO.:		
				16 < L ≤ 63	±0.4		APPD		SIZE: A4			
				L > 63	±0.5					WEIGHT	SHEET	REVISION
REVISIONS				UNSPECIFIED TOLERANCES		KE SI DA ELECTRONIC TECHNOLOGY CO., LTD				1/1	A0	
DATE				REVISED	APPROVED							
WWW.BODONGKAIGUAN.NET				WWW.CKJACK.COM		WWW.KSDKG.COM						